

Thru Hole Transformer

SPECIFICATIONS : **33.6 Kbps**

ELECTRICAL :

IMPEDANCE : PRI. & SEC.= 600 OHMS EACH (REF.)

DESIGNED TO REFLECT : 600 OHMS \pm 10% ON PRI. WITH

360 OHMS LOAD ON SEC. @ 1KHz, 1Vrms

D.C. RESISTANCE : PRI. = 104 OHMS \pm 10% @ 20°C

SEC. = 137 OHMS \pm 10%

TURN RATIO : (PRI. : SEC.) = 1 : 1 \pm 1%

D.C. CURRENT : NONE

INDUCTANCE : 12 H MIN. @ 200Hz, 1Vrms ON PARALLEL

INSERTION LOSS : 2.5 dB MAX. @ 1KHz, 1Vrms

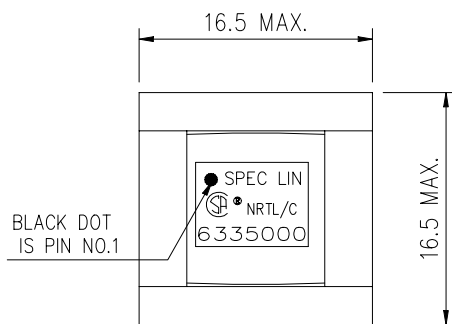
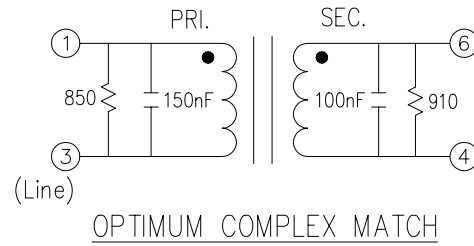
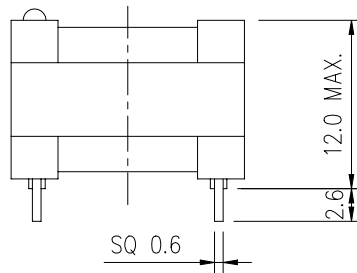
FREQUENCY RESPONSE : \pm 0.2 dB @ 200Hz - 4KHz

RETURN LOSS : 25 dB MIN. , 300Hz

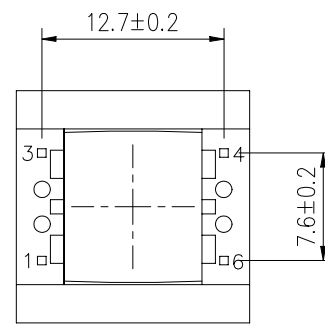
20 dB MIN. , 500Hz

17 dB MIN. , 2KHz - 3.4KHz

HI-POT TEST : 3.75 KVAC MIN. BETWEEN PRI. & SEC. 1mA FOR 1 MINUTE



TOP VIEW



BOTTOM VIEW

SPEC LIN ENTERPRISE CO. LTD.

2F, No.6, ALLEY 17, LANE 42, CHUNG HSING N. ST.

SAN CHUNG CITY, TAIPEI, TAIWAN

TEL: 886-2-29991394 FAX: 886-2-22781629

AGENCY NO.

UL NO. : E181559

CSA NO. : LR107869

ISO 9002 : 036809750

DRAWING NO.

6335000

UNITS

mm

SHEET

1 OF 1

