



Part Number SPECLIN

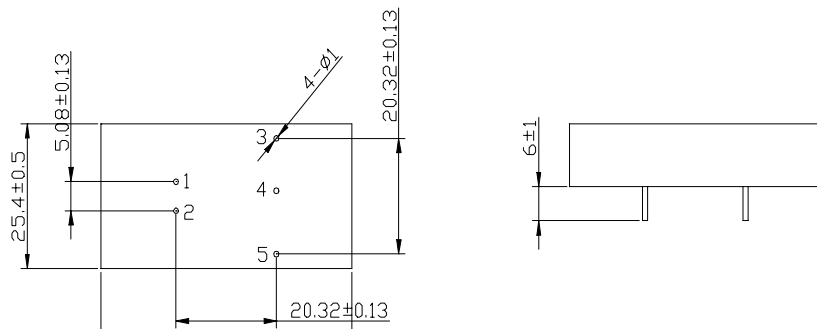
R/S S N 48-±5 / 2 A

- Package
A: 2*1*0.4
- Load : I_o : $0 < I_o < 100(A)$
 $100 \leq I_o(mA)$
- Output voltage
- Input voltage
12V, 24V, 48V
- Input range
N: Narrow range
2:1 (9-18), (18-36), (36-72)
W: Wide range
4:1 (18-72)
- Outputs
S : Single
D : Dual
T : Triple
R : Remote
S : SYNC

Characteristics:

- ✧ Input under-voltage protection
- ✧ Input over-voltage protection
- ✧ Output voltage adjustable
- ✧ Output over current protection
- ✧ High efficiency, high density and high reliability
- ✧ Pall application

Mechanical drawing



PIN Definition

PIN	1	2	3	4	5
S	+Vin	-Vin	+Vout	No PIN	-Vout
D	+Vin	-Vin	+Vout	COM	-Vout

NOTICE : Without Note Tolerance .X ±0.5

8W

P/N	Vin range	V ₀ (VDC)	Load _(A)	η (TYPE)
DN48-12/340-12/340-A	36-72	±12	±0.34	82%
DN48-5/800-5/800-A	36-72	±5	±0.8	82%
DN48-15/270-15/270-A	36-72	±15	±0.27	82%
DW24-12/340-12/340-A	18-72	±12	±0.34	82%
DW24-5/800-5/800-A	18-36	±5	±0.8	82%
DW24-15/270-15/270-A	18-36	±15	0.27	82%

Specifications

1	Input voltage range	48:36~72Vdc;24:18~36Vdc;12:9~18Vdc
2	Output voltage accuracy	±1%
3	Line regulation	±0.2% max
4	Load Regulation	±0.5% max
5	Output timing	±10%
6	Over Current Protection Point	120%-150%
7	Efficiency	82%
8	Switching Frequency	300KHz
9	Isolation voltage	1500Vdc
10	Temperature Coefficient	±0.02%/°C
11	Storing Temperature	-40°C--105°C
12	Operating Temperature	-25°C--85°C
13	Weight	50g
14	Relative Humidity	10%--90%

