

Electrical Test For SL0802-5V1A-C-USB

SPECLIN ENTERPRISE CO.,LTD

ELECTRICAL TEST		Prepared By	Checked By	Approved By
MODEL: SL0802-5V1A-C-USB	USED ON:	刘桂佃	焦治权	阎嘉龙
DATE: 2008-04-21				
PAGE: 1 of 1	REV.: P1			

Item	Document	Update Rev	Remark
1	Products Specifications	P1	
2	Schematic Diagram	P1	
3	PCB Layout Files(THX202H-V6)		
4	Mechanical Drawing		
4.1	CASE	P1	
5	Lable	P1	
6	Appendix		
	Electrical Test		

Note:1)Please make sure that all the documents on your hand are the latest revision as above listed.

2)# Denotes updated compared with the late version.

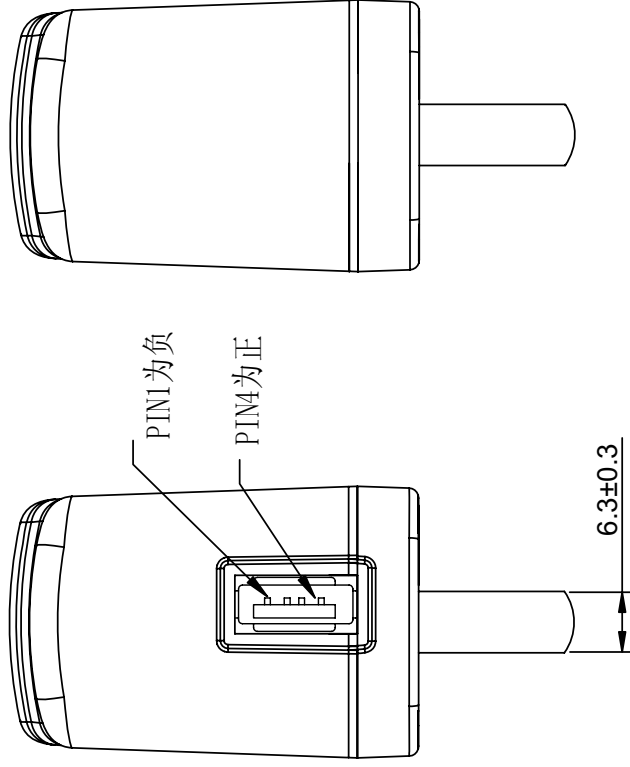
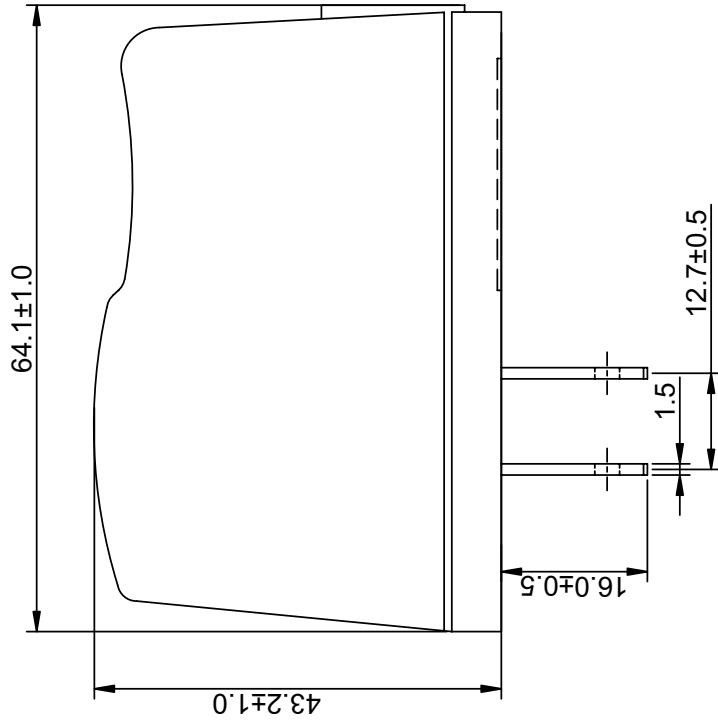
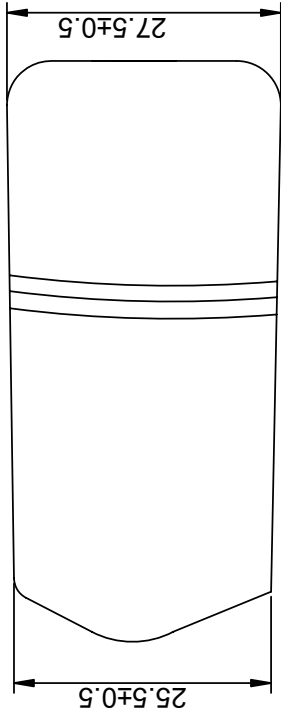
Electrical Test For SL0802-5V1A-C-USB

SPECLIN ENTERPRISE CO.,LTD				
ELECTRICAL TEST		Prepared By	Checked By	Approved By
MODEL:	SL0802-5V1A-C-USB	USED ON:		
DATE:	2008-0 4-21		刘桂佃	焦洽权
PAGE:	1 of 1	REV. :	P1	阎嘉龙

SL0802-5V1A-C-USB AC-DC POWER SUPPLY MODULE

S/N	TEST ITEMS	UNIT	VALUE	TEST CONDITIONS/RECORDS
INPUT				
01	Nominal Input Voltage	Vac	100~240@ 60/50 Hz	At 90~264Vac@50/60 Hz,Full Load
02	Input Current	Aac	0.3A MAX	
03	Input Voltage Range	Vac	90~264	
04	Input Frequency range	Hz	47~63	
05	Empty-load Input Power (Typ.)	W	<0.3	
06	Max. Input Power (Typ.)	W	7.0	
OUTPUT				
01	Nominal Output Voltage	Vdc	5.0±0.25	At 90~264Vac@50/60Hz,Io: 0~1000mA
02	No-Load Output Voltage(MAX.)	Vdc	5.25	At 264Vac@50Hz,Io: 0mA
03	Full-Load Output Voltage(MIN.)	Vdc	4.75	At 90Vac@50Hz,Io:1000mA
04	Nominal Output Current	mA	1000	At 90~264Vac@50/60 Hz
05	Max. output power	W	5	At 90~264Vac@50/60 Hz
06	Ripple & Noise (Max.)	mV	<100	At 90~264Vac@50/60 Hz , Io: 0~1000mA
07	Ripple & Noise (Typ.)	mV	60	At 90Vac@50Hz , Io:1000mA
08	Ripple & Noise (Typ.)	mV	60	At 264Vac@50Hz ,Io:1000mA
09	Hold-up Time(Typ)	mS	8	At 120Vac@60Hz ,Io:1000mA
10	Max. Line Regulation	%	1%	At 90~264Vac@50/60 Hz , Io: 0~1000mA
11	Max. Load Regulation	%	5%	At 90~264Vac@50/60 Hz , Io: 0~1000mA
12	Output Short Circuit Current (Max.)	mA	--	At 90~264Vac@50/60 Hz ,
13	Over Voltage Protection	Vdc	--	Use Z-diode
14	Efficiency (Typ)	%	70	At max. load & any voltage input.
GENERAL				
01	Operating Temperature	°C	0 ~40	Full load & natural convection.
02	Operating Humidity	%RH	10 ~ +90	Relative humidity, non-condensing.
03	Storage Temperature	°C	-20 ~ +80	
04	Storage Humidity	%RH	10 ~ +95	Relative humidity, non-condensing.
05	Cooling	-	Natural convection	
06	Temperature Coefficient	%	5%	
07	Vibration	G	0.25 2.0	10-250Hz,peak to peak,3axes,15min sweep 10-300Hz,peak to peak,3axes,15min sweep
08	Shock	G	TBD	Non-operating condition.
09	ALTITUDE	FEET	10000	Power supply shall operate to an altitude
10	Transportation		9~200Hz,加速度Acceleration=5m/S2 200~500Hz,加速度Acceleration=15m/S2	IEC 721-3-2 2M2 5-9Hz,A=3.5mm
11	Dropping(packed)		1 corner,3 edges, and 6 surfaces	Height:100cm
12	Axes		10 cycles per axis	
MECHANICAL				
01	Weight	g	<200	Including input & output cable assembly. Casing only
02	Size	mm	64 x 43 x 27.5(L x W x H)	
03	Input Connection	-	--	
04	Output Cord (Typ.)	m	*	
05	Output Connection	mm	*	
SAFETY				
01	Temperature Rise	°C	< 75 on winding & core; < 50 on casing	At 90Vac@50 Hz; Io: 1000mA
02	Withstand Voltage (Hi-Pot):	kV	l/p to o/p: 3.75 (3 Sec.)	For final unit, cut-off current = 10mA Ambient conditions of 28±2°C & 70%RH.
03	Insulation Resistance	MΩ	More than 100 at 500Vdc.	
04	Safety Standard	-	*	
05	EMI/RFI Standard	-	*	
06	Mean time Between Failures(MTBF)	hrs	50000 MIN	
07	Limited Power Source	VA	< 65	at 75%load for an ambient 25°C temperature. Input 120V 60Hz
08	Electro-Static-Discharge	kV	--	
09	Burn-in Test	hrs	4H	under nominal input and full load at ambient temperature of 40°C
10	ROHS	-	The power supply shall compliance CE ROHS standard	

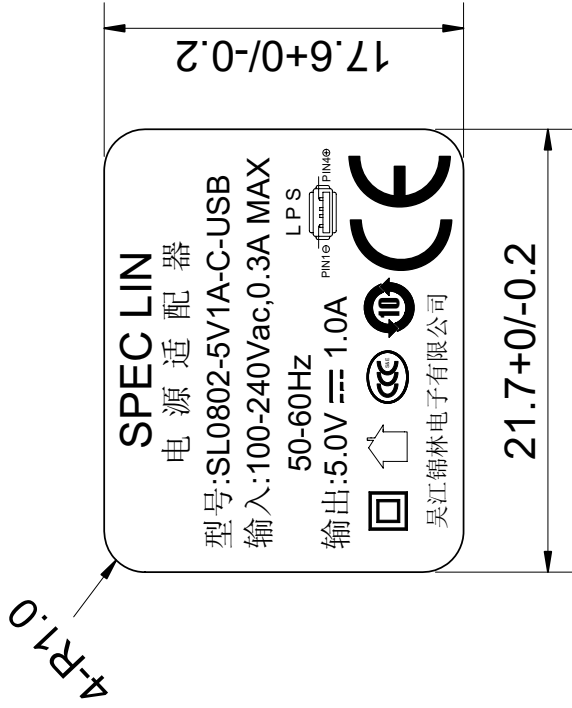
NOTES:



NOTE:
1.CASE MATERIAL:PC+ABS C:BLACK

PREPARED BY	HuangTengjiao	CHECKED BY	Yu Heping	APPROVED BY	Jiao Zhiquan	MATERIAL	SPEC LIN ENTERPRISE CO.,LTD		
1st	3rd	SCALE	UNIT	mm		MATERIAL	MODEL/TITLE	SL0802-5V1A-C-USB(CASE)	
DF PROJECTION						SURFACE FINISHING	DATE:2008-03-21		
						FINISHING	SIZE:A4	SHEET: 1	
							DF	1	
							REV	P1	

REV.	DESCRIPTION	PREPARED	CHECKED	APPROVED	DATE



NOTE:

1. 排版时字粗依平均排列字体清晰无阴影.
2. 尺寸依照图面且应与相应外壳配合.
3. 材质: 消银龙 0.25mm 厚度防火承认.
4. 颜色: 银底黑字, 亮膜.
5. 耐温为 105°C. 不可有起皱, 气泡现象.
6. 铭版有自粘性.
7. 铭版字体均为 Arial.

STANDARD TOLERANCE LIMITS UNLESS OTHER SPECIFIED		PREPARED BY	CHECKED BY	APPROVED BY	MATERIAL	SPEC LIN ENTERPRISE CO., LTD
RANGE	TOL RANGE	TOL			MATERIAL	
6 AND BELOW	±0.08	OVER 120 TO 250	±0.4	陶嘉龙	SURFACE FINISHING	MODEL/TITLE SL0802-5V1A-C-USB(LABLE)
OVER 6 TO 30	±0.1	OVER 250 TO 600	±0.6	焦治权	FINISHING	DATE: 2008-04-10
OVER 30 TO 120	±0.2	OVER 600	±1.0	mm		SIZE: A4 SHEET: 1 OF: 1 REV: P1

SPECLIN ENTERPRISE CO.,LTD				
ELECTRICAL TEST		Prepared By	Checked By	Approved By
MODEL	SL0802-5V1A-C-USB	USED ON:		
DATE:	2008-04-21		刘桂佃	焦治权
PAGE:	1 of 3	REV. :	P1	阎嘉龙

Test Set-up

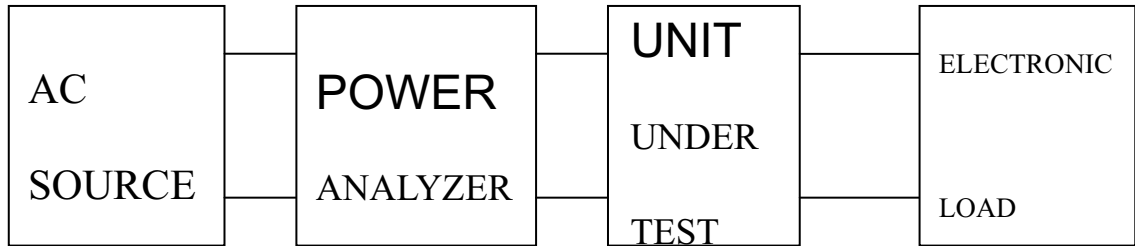


Fig.1.1 Input & Output Test Set-up

1. Load Setup

Unit:A

Channel	5.0V	
Loading (A)	Max.	1.0A
	Typ.	--
	Min.	0.0A

2. Output Regulation

1) Requirement

Unit:A

Channel	5V	
Requirement	Max.	5.25
	Typ.	5.0
	Min.	4.75

2) Testing Data

Unit:V

Vin(Vac)	Loading	+5.00V	Power-in
90	Min.	5.12	0.1
	Half.		
	Max.	4.90	7.0
120	Min.	5.12	0.14
	Half.		
	Max.	4.91	6.6
220	Min.	5.12	0.29
	Half.		
	Max.	4.91	6.6
240	Min.	5.12	0.29
	Half.		
	Max.	4.93	6.5
264	Min.	5.12	0.29
	Half.		
	Max.	4.92	6.6
MAXIMUM		5.12	7
MINIMUM		4.92	0.1
RESULT		OK	OK

SPECLIN ENTERPRISE CO.,LTD					
ELECTRICAL TEST			Prepared By	Checked By	Approved By
MODEL	SL0802-5V1A-C-USB	USED ON:	刘桂佃	焦治权	阎嘉龙
DATE:	2008-04-21				
PAGE:	2 of 3	REV. : P1			

3. Efficiency

Testing Data

Vin(Vac)	Loading	Power in(W)	Power out(W)	Power Dis.(W)	Efficiency(%)
90	Max.	7.0	4.90		70%
	Typ.	--	--		--
	Min.	--	--		--
120	Max.	6.6	4.91		74.2%
	Typ.	--	--		--
	Min.	--	--		--
200	Max.	6.6	4.91		74.2%
	Typ.	--	--		--
	Min.	--	--		--
240	Max.	6.5	4.91		75.5%
	Typ.	--	--		--
	Min.	--	--		--
264	Max.	6.6	4.92		74.5%
	Typ.	--	--		--
	Min.	--	--		--
MAXIMUM		7.0	4.92		5.5%
MINIMUM		--	--	--	--
RESULT		OK	OK		OK

4. Output Ripple & Noise

1) Requirement

Unit:mV

Channel	+5.00V
Requirement(mVp-p)	100

2) Testing Data

Unit: mV

Vin(Vac)	Loading	+5.0V
90	Max.	25
	Typ.	--
	Min.	20
120	Max.	25
	Typ.	--
	Min.	20
200	Max.	25
	Typ.	--
	Min.	20
240	Max.	25
	Typ.	--
	Min.	20
264	Max.	25
	Typ.	--
	Min.	20
MAXIMUM		25
RESULT		OK

SPECLIN ENTERPRISE CO.,LTD					
ELECTRICAL TEST		Prepared By	Checked By	Approved By	
MODEL	SL0802-5V1A-C-USB	USED ON:			
DATE:	2008-04-21		刘桂佃	焦治权	阎嘉龙
PAGE:	3 of 3	REV. :	P1		

5.Short Test Report

Testing Data

Vin(Vac)	Loading	+5V
90	Max.	OK
	Typ.	OK
	Min.	OK
	Min.	OK
120	Max.	OK
	Typ.	OK
	Min.	OK
200	Max.	OK
	Typ.	OK
	Min.	OK
240	Max.	OK
	Typ.	OK
	Min.	OK
264	Max.	OK
	Typ.	OK
	Min.	OK
RESULT		OK

TEST RESULT : OK

8. Heavy Load Test

Put the units into the worst condition for 24hrs, measure the output and current at both the beginning and end.

Input	25°C/90Vac/60Hz
Load	1.0A
Vout (V) at the beginning	5.0V
Iout (mA) at the beginning	1.0A
Duration	24hrs
Vout(V) at the end	5.0V
Iout(mA) at the end	1.0A

The unit may have functional degrading under the testing, however, when going back to normal condition, any permanent functional loss is unacceptable.

9. HI-pot Test:

TEST Codition:

Primary to Secondary:

●Test voltage :3.75KVAC

●Test time : 3S

●Cut off current :10MA

TEST RESULT: OK

Certificate

Product Name : **Adapter**
Model Number(s) : **SL0802-5V1A-C-USB**
Serial No. : **N/A**
Manufacturer : **Speclin Enterprise Co., Ltd.**
Address : **2F-1, No. 6, Alley 17, Lance 42, Chung Hsing N. St, San Chung City,
Taipei Hsien, Taiwan**
Factory : **WU JIANG SPEC LIN ELECTRONICS CO.,LTD.**
Address : **No.8,Market N.St.,Bache Area,Songlin Town,Wujiang City,Jiangshu
Province,China**
Class of Equipment : **Class II**

Rating and Principal Characteristics : **Input: 100-240Vac, 0.3A, 50-60Hz**
Output: 5.0 Vdc, 1.0A

Trade mark : **SPEC LIN**
Ref. Report No. : **08LS021LV**

We, **International Standards Laboratory**, hereby certify that:

The device bearing the trade name and model specified above has been shown to comply with the applicable technical standards as indicated in the measurement report and was tested in accordance with the measurement procedures specified in **Council Directive 2006/95/EC, 93/68/EEC.**

The device was passed the test performed according to :

Standards:

EN 60950-1:2001+A11

I attest to the accuracy of data and all measurements reported herein were performed by me or were made under my supervision and are correct to the best of my knowledge and belief. I assume full responsibility for the completeness of these measurements and vouch for the qualifications of all persons taking them.



Jack Lin/ Director

Date: 2008/04/10

International Standards laboratory

Lung-Tan LAB:

No. 120, Lane 180, San Ho Tsuen, Hsin Ho Rd. Lung-Tan Hsiang, Tao Yuan County 325, Taiwan

Tel: 886-3-407-1718; Fax: 886-3407-1738