

# ADSL LINE Transformer for Globespan Co chipsets

SPECIFICATIONS :

ELECTRICAL :

D.C. RESISTANCE : 1-4 = 1.7 OHMS MAX. (TIE 2+3)

5-8 = 2.5 OHMS MAX. (TIE6+7)

INDUCTANCE :  $474\mu\text{H} \pm 6\%$  @ 10KHz, 100mVAC 1-4 TIE(2+3), Ls

URNS RATIO : LINE : CHIP = 1.15 : 1  $\pm 2\%$

INTERWINDING CAPACITANCE : 50 pF MAX. @ 100KHz , 0.1V

LEAKAGE INDUCTANCE :  $10\mu\text{H}$  MAX. @ 100KHz, 100mVAC 8-5 TIE(1+4), Ls

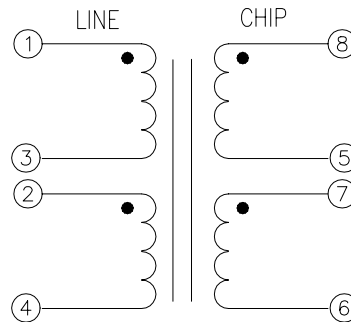
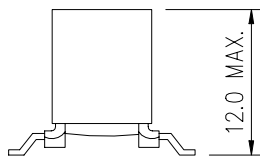
INSERTION LOSS : 0.5 dB MAX. @ 150 KHz - 300KHz , 100 OHMS

1.0 dB MAX. @ 1MHz , 100 OHMS

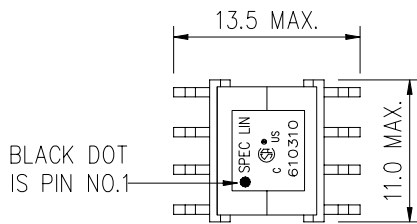
LONGITUDINAL BALANCE : 45 dB MAX. @ 20KHz - 1MHz

HI-POT : 1.50 KVAC MON. BETWEEN CHIP & LINE 1 mA FOR 60 SECONDS

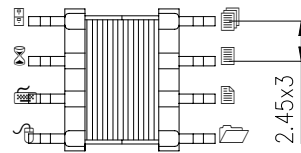
1.85 KVAC MON. BETWEEN CHIP & LINE 1 mA FOR 2 SECONDS



SCHEMATIC



TOP VIEW



BOTTOM VIEW

CHECKUP : \_\_\_\_\_

DESIGN : \_\_\_\_\_

DRAWEE : \_\_\_\_\_

**SPEC LIN ENTERPRISE CO. LTD.**

2F, No.6, ALLEY 17, LANE 42, CHUNG HSING N. ST.

SAN CHUNG CITY, TAIPEI, TAIWAN

TEL: 886-2-29991394 FAX: 886-2-22781629

AGENCY NO.

ISO 9002 : 036809750

DRAWING NO.

**610310**

UNITS  
mm

SHEET  
1 OF 1

