

ADSL Transformer

(Designed for use with Analog Devices AD20MSP910 IC)

(MEET UL-1950 , EN 60950 , CSA 950)

SPECIFICATIONS :

ELECTRICAL :

DESIGNED TO REFLECT 100 OHMS ON PRI WITH 100 OHMS ON SEC

D.C. RESISTANCE : 10-8 = 1.20 OHMS \pm 10% @ 25C

1-3 = 1.35 OHMS \pm 10%

2-4 = 1.35 OHMS \pm 10%

9-7 = 1.60 OHMS \pm 10%

LONGITUDINAL BALANCE : 40 dB MIN. @ 1KHz-1MHz

INSERTION LOSS : 0.5dB MAX. AT 100KHz.

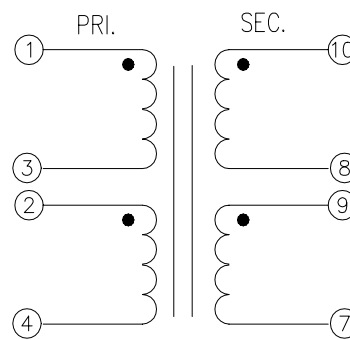
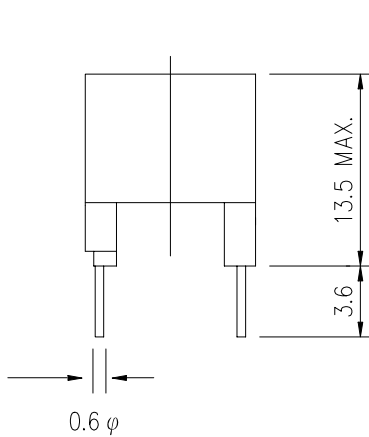
INDUCTANCE : 5.0mH \pm 10% @10KHz, 1.0 VAC 1-4(TIE 2+3), Ls

LEAKAGE INDUCTANCE : 16 μ H MAX. @100KHz , 100mVAC,1-4(TIE 2+3, 8+9 , 7+10) Ls

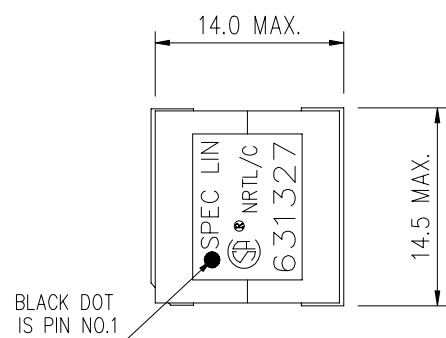
URNS RATIO : (10-8) : (9-7) = 1:1 \pm 1%

(10-7) : (1-4) = 1:1 , TIE (2+3 , 8+9), \pm 1%

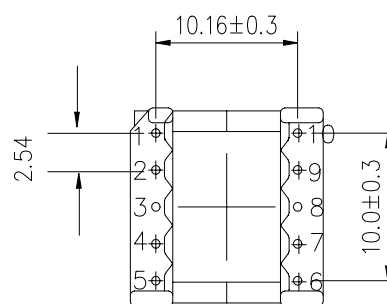
HI-POT : 1875VAC PRI. - SEC.



SCHEMATIC



TOP VIEW



BOTTOM VIEW

SPEC LIN ENTERPRISE CO. LTD.

2F, No.6, ALLEY 17, LANE 42, CHUNG HSING N.S.T.
SAN CHUNG CITY, TAIPEI, TAIWAN
TEL: 886-2-29991394 FAX: 886-2-22781629

AGENCY NO.

UL NO. : E181559

CSA NO. 186519

ISO 9002 : 036809750

DRAWING NO.

631327

UNITS
mm

SHEET
1 OF 1

