

Surface Mounting & Pcmcia Transformer

SPECIFICATIONS : **14.4 Kbps**

ELECTRICAL :

IMPEDANCE : PRI. & SEC.= 600 OHMS EACH (REF.)

DESIGNED TO REFLECT : 600 OHMS \pm 3% ON PRI. WITH
301 OHMS LOAD ON SEC. @ 1KHz, 1Vrms

D.C. RESISTANCE : PRI. = 150 OHMS \pm 10% @ 20°C

SEC. = 150 OHMS \pm 10%

TURN RATIO : (PRI. : SEC.) = 1 : 1 \pm 2%

D.C. CURRENT : NONE

INDUCTANCE : 1 H MIN. @ 1KHz, 1Vrms ON SERIES

INSERTION LOSS : 3.3 dB MAX. @ 1KHz

FREQUENCY RESPONSE : \pm 0.15 dB @ 300Hz - 3.5KHz

RETURN LOSS : 25 dB MIN. @ 300Hz - 3.5KHz

TOTAL HARMONIC DISTORTION : -76 dB MAX. @ 600Hz, -10dBm

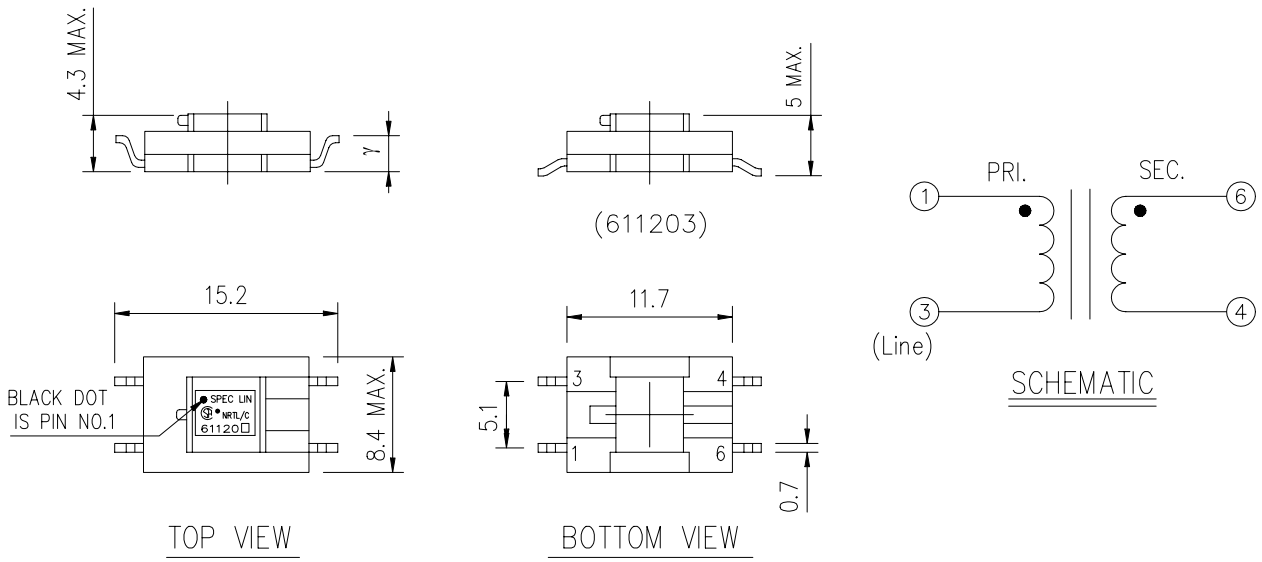
LONGITUDINAL BALANCE : 60 dB MIN. , 200Hz - 1KHz

40 dB MIN. , 1KHz - 4KHz

HI-POT TEST : 1.25 KVAC MIN. BETWEEN PRI. & SEC. 1mA FOR 2 SECONDS

Terminal Offset Table Below

P/N	611200	611201	611202	611203	611204
γ	2.4	1.3	1.6	-0.1	2.1



SPEC LIN ENTERPRISE CO. LTD. 2F, No.6, ALLEY 17, LANE 42, CHUNG HSING N. ST. SAN CHUNG CITY, TAIPEI, TAIWAN TEL: 886-2-29991394 FAX: 886-2-22781629	AGENCY NO. UL NO. : E181559 CSA NO. : LR107869 ISO 9002 : 036809750		DRAWING NO. 611200~4	
	UNITS mm	SHEET 1 OF 1		