

Surface Mounting & Pcmcia Transformer

SPECIFICATIONS : **28.8 Kbps**

ELECTRICAL :

IMPEDANCE : PRI. & SEC.= 600 OHMS EACH (REF.)

DESIGNED TO REFLECT : 600 OHMS \pm 3% ON PRI. WITH
301 OHMS LOAD ON SEC. @ 1KHz, 1Vrms

D.C. RESISTANCE : PRI. = 150 OHMS \pm 10% @ 20°C

SEC. = 150 OHMS \pm 10%

TURN RATIO : (PRI. : SEC.) = 1 : 1 \pm 2%

D.C. CURRENT : NONE

INDUCTANCE : 1.2 H MIN. @ 1KHz, 1Vrms ON SERIES

INSERTION LOSS : 3.3 dB MAX. @ 1KHz

FREQUENCY RESPONSE : \pm 0.15 dB @ 300Hz - 3.5KHz

RETURN LOSS : 25 dB MIN. @ 300Hz - 3.5KHz

TOTAL HARMONIC DISTORTION : -80 dB MAX. @ 600Hz, -10dBm

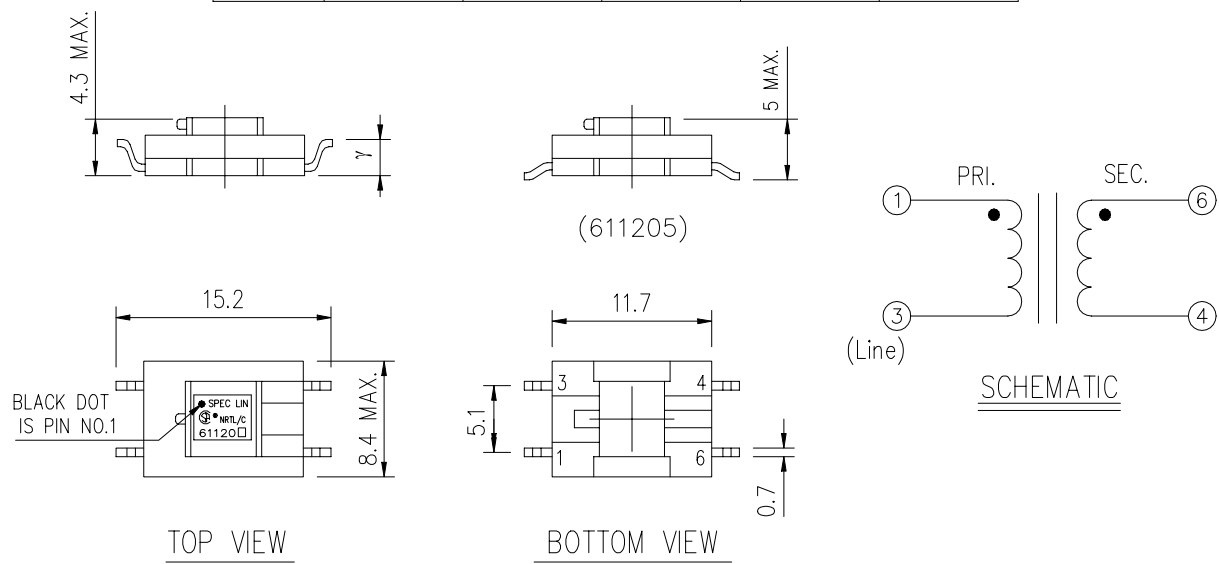
LONGITUDINAL BALANCE : 60 dB MIN. , 200Hz - 1KHz

40 dB MIN. , 1KHz - 4KHz

HI-POT TEST : 1.25 KVAC MIN. BETWEEN PRI. & SEC. 1mA FOR 2 SECONDS

Terminal Offset Table Below

P/N	611205	611206	611207	611208	611209
γ	-0.1	1.3	1.6	2.1	2.4



SPEC LIN ENTERPRISE CO. LTD.

2F, No. 6, ALLEY 17, LANE 42, CHUNG HSING N. ST.
SAN CHUNG CITY, TAIPEI, TAIWAN
TEL: 886-2-29991394 FAX: 886-2-22781629

AGENCY NO.

UL NO. : E181559

CSA NO. : LR107869

ISO 9002 : 036809750

DRAWING NO. **611205~9**

UNITS
mm

SHEET
1 OF 1

