

# Thru Hole Transformer

SPECIFICATIONS : **56 Kbps**

ELECTRICAL :

IMPEDANCE : PRI. & SEC.= 600 OHMS EACH (REF.)

DESIGNED TO REFLECT : 600 OHMS  $\pm$  3% ON PRI. WITH

301 OHMS LOAD ON SEC. @ 1KHz, 1Vrms

D.C. RESISTANCE : PRI. = 150 OHMS  $\pm$  10% @ 20°C

SEC. = 150 OHMS  $\pm$  10%

TURN RATIO : (PRI. : SEC.) = 1 : 1  $\pm$  1%

D.C. CURRENT : NONE

INDUCTANCE : 20 H MIN. (TYP. 30H) @ 200Hz, 1Vrms ON PARALLEL

INSERTION LOSS : 2.8 dB MAX. @ 1KHz, 1Vrms

FREQUENCY RESPONSE :  $\pm$ 0.2 dB @ 200Hz - 4KHz

RETURN LOSS : 35 dB MIN. , 300Hz

24 dB MIN. , 3.5KHz

TOTAL HARMONIC DISTORTION : -84 dB MAX. @ 600Hz, -10dBm

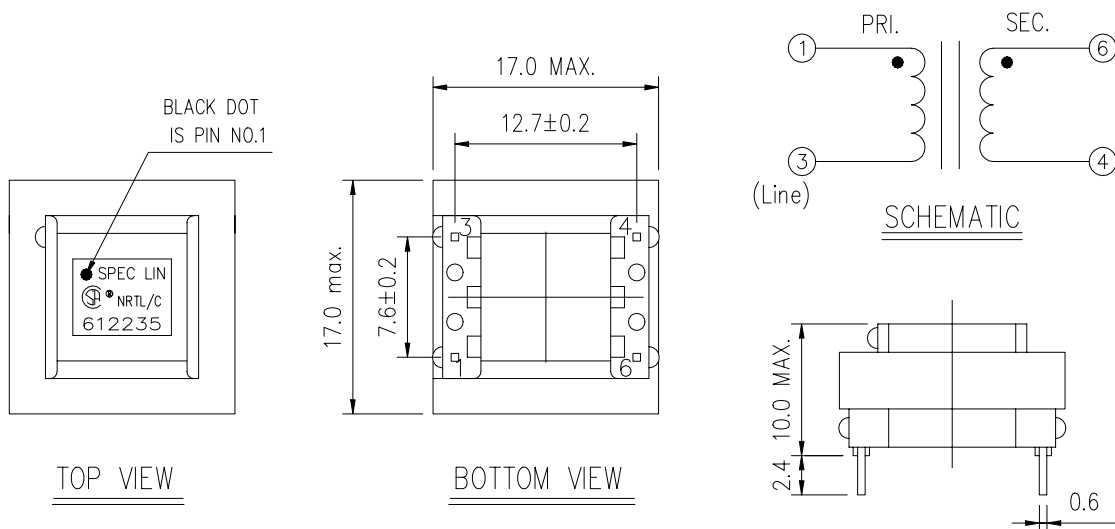
TYPICAL DISTORTION FIGURES (T.H.D.)

Hz	150	300	600
-10dBm	-78.8dB	-83.5dB	-85.5dB

LONGITUDINAL BALANCE : 60 dB MIN. , 200Hz - 1KHz

40 dB MIN. , 1KHz - 4KHz

HI-POT TEST : 1.25 KVAC MIN. BETWEEN PRI. & SEC. 1mA FOR 2 SECONDS



**SPEC LIN ENTERPRISE CO. LTD.**

2F, No. 6, ALLEY 17, LANE 42, CHUNG HSING N. ST.  
SAN CHUNG CITY, TAIPEI, TAIWAN

TEL: 886-2-29991394 FAX: 886-2-22781629

AGENCY NO.

UL NO. : E181559

CSA NO. : LR107869

ISO 9002: 036809750

DRAWING NO.

**612235**

UNITS  
mm

SHEET  
1 OF 1

