

Low Profile Modem Transformer

SPECIFICATIONS : **14.4 Kbps**

ELECTRICAL :

IMPEDANCE : PRI. & SEC.= 600 OHMS EACH (REF.)

DESIGNED TO REFLECT : 600 OHMS \pm 10% ON PRI. WITH
470 OHMS LOAD ON SEC. @ 1KHz, 1Vrms

D.C. RESISTANCE : PRI. = 108 OHMS \pm 10% @ 20°C
SEC. = 120 OHMS \pm 10%

TURN RATIO : (PRI. : SEC.) = 1 : 1 \pm 2%

D.C. CURRENT : 100 mA MAX. IN PRI.

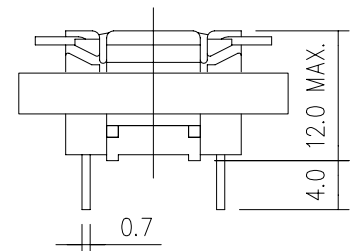
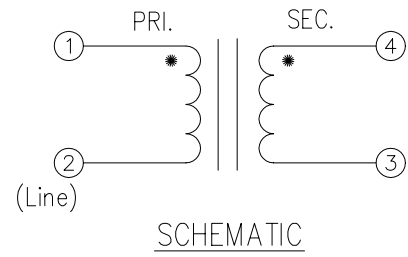
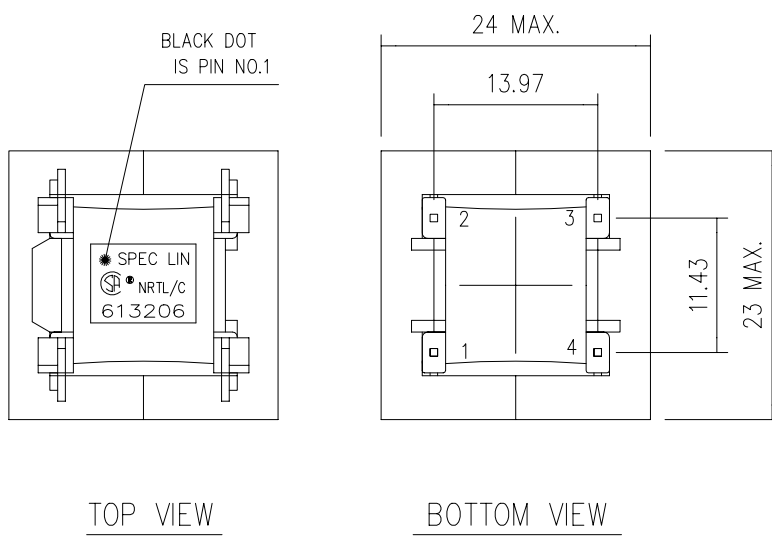
INSERTION LOSS : 2.5 dB MAX. @ 1KHz

FREQUENCY RESPONSE : \pm 2.5 dB , 300Hz - 600Hz
 \pm 0.65 dB , 600Hz - 3.5KHz

RETURN LOSS : 6 dB MIN. , 300Hz
12 dB MIN. , 1KHz
15 dB MIN. , 3.5KHz

LONGITUDINAL BALANCE : 60 dB MIN. , 60Hz - 1KHz
40 dB MIN. , 1KHz - 4KHz

HI-POT TEST : 1.25 KVAC MIN. BETWEEN PRI. & SEC. 1mA FOR 2 SECONDS



SPEC LIN ENTERPRISE CO. LTD.

2F, No. 6, ALLEY 17, LANE 42, CHUNG HSING N. ST.
SAN CHUNG CITY, TAIPEI, TAIWAN
TEL: 886-2-29991394 FAX: 886-2-22781629

AGENCY NO.

UL NO. : E181559

CSA NO. : LR107869

ISO 9002 : 036809750

DRAWING NO.

613206

UNITS
mm

SHEET
1 OF 1

