

Thru Hole Transformer

SPECIFICATIONS : **56 Kbps**

ELECTRICAL :

IMPEDANCE : PRI. & SEC.= 600 OHMS EACH (REF.)

DESIGNED TO REFLECT : 600 OHMS \pm 3% ON PRI. WITH

374 OHMS LOAD ON SEC. @ 1KHz, 1Vrms

D.C. RESISTANCE : PRI. = 108 OHMS \pm 10% @ 20°C

SEC. = 120 OHMS \pm 10%

TURN RATIO : (PRI. : SEC.) = 1 : 1 \pm 1%

D.C. CURRENT : NONE

INDUCTANCE : 25 H MIN. @ 200Hz, 1Vrms ON PARALLEL

INSERTION LOSS : 2.0 dB MAX. @ 1KHz

FREQUENCY RESPONSE : \pm 0.1 dB @ 200Hz - 4KHz

RETURN LOSS : 20 dB MIN. @ 200Hz - 4KHz

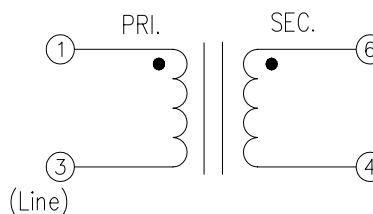
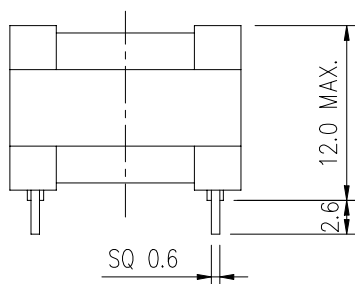
TOTAL HARMONIC DISTORTION : -75 dB MAX. , 150Hz, 0dBm VS 374 OHMS

-86 dB MAX. , 300Hz

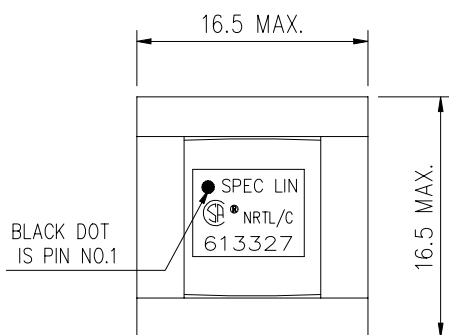
-90 dB MAX. , 600Hz

LONGITUDINAL BALANCE : 60 dB MIN. @ 200Hz - 4KHz

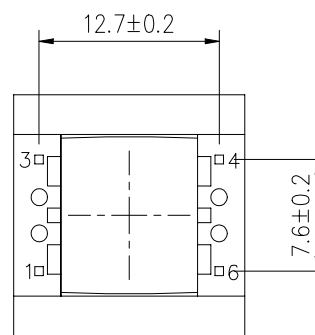
HI-POT TEST : 1.5 KVAC MIN. BETWEEN PRI. & SEC. 1mA FOR 2 SECONDS



SCHEMATIC



TOP VIEW



BOTTOM VIEW

SPEC LIN ENTERPRISE CO. LTD.

2F, No.6, ALLEY 17, LANE 42, CHUNG HSING N.ST.
SAN CHUNG CITY, TAIPEI, TAIWAN
TEL: 886-2-29991394 FAX: 886-2-22781629

AGENCY NO.

UL NO. : E181559

CSA NO. : LR107869

ISO 9002 : 036809750

DRAWING NO.

613327

UNITS
mm

SHEET
1 OF 1

