

Thru Hole Transformer

SPECIFICATIONS : **33.6 Kbps**

ELECTRICAL :

IMPEDANCE : PRI. & SEC.= 600 OHMS EACH (REF.)

DESIGNED TO REFLECT : 600 OHMS \pm 3% ON PRI. WITH

432 OHMS LOAD ON SEC. @ 1KHz, 1Vrms

D.C. RESISTANCE : PRI. = 83 OHMS \pm 10% @ 20°C

SEC. = 85 OHMS \pm 10%

TURN RATIO : (PRI. : SEC.) = 1 : 1 \pm 2%

D.C. CURRENT : NONE

INDUCTANCE : 16 H MIN. @ 200Hz, 1Vrms ON PARALLEL

INSERTION LOSS : 2.0 dB MAX. @ 1KHz

FREQUENCY RESPONSE : \pm 0.15 dB @ 300Hz - 3.5KHz

RETURN LOSS : 30 dB MIN. , 300Hz

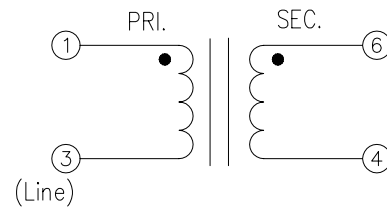
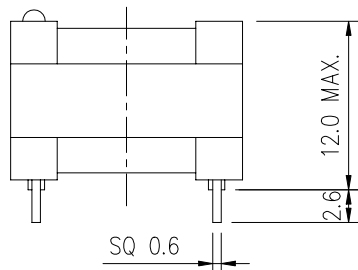
25 dB MIN. , 1KHz

12 dB MIN. , 3.5KHz

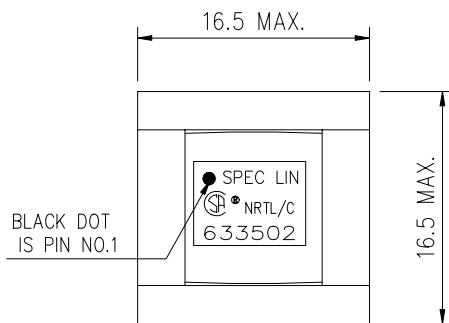
TOTAL HARMONIC DISTORTION : -83 dB MAX. @ 600Hz, -10dBm

LONGITUDINAL BALANCE : 80 dB MIN. @ 200Hz - 4KHz

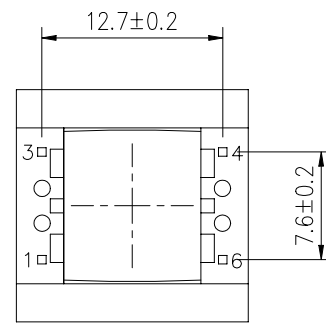
HI-POT TEST : 3.75 KVAC MIN. BETWEEN PRI. & SEC. 1mA FOR 1 MINUTE



SCHEMATIC



TOP VIEW



BOTTOM VIEW

SPEC LIN ENTERPRISE CO. LTD.

2F, No. 6, ALLEY 17, LANE 42, CHUNG HSING N. ST.
SAN CHUNG CITY, TAIPEI, TAIWAN

TEL: 886-2-29991394 FAX: 886-2-22781629

AGENCY NO.

UL NO. : E181559

CSA NO. : LR107869

ISO 9002: 036809750

DRAWING NO.

633502

UNITS
mm

SHEET
1 OF 1

