

# Thru Hole Transformer

SPECIFICATIONS : **56 Kbps**

ELECTRICAL :

IMPEDANCE : PRI. & SEC.= 600 OHMS EACH (REF.)

DESIGNED TO REFLECT : 600 OHMS  $\pm$  5% ON PRI. WITH  
390 OHMS LOAD ON SEC. @ 1KHz, 1Vrms

D.C. RESISTANCE : PRI. = 97 OHMS MAX. @ 20°C

SEC. = 123 OHMS MAX.

TURN RATIO : (PRI. : SEC.) = 1 : 1  $\pm$  1%

D.C. CURRENT : NONE

INDUCTANCE : 16 H MIN. @ 250Hz, 0.1Vrms ON PARALLEL

INSERTION LOSS : 1.8 dB MAX. @ 1KHz, 1Vrms

FREQUENCY RESPONSE :  $\pm$ 0.2 dB @ 200Hz - 4KHz

RETURN LOSS : 15 dB MIN. , 200Hz

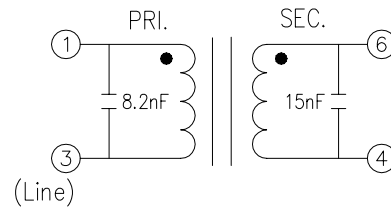
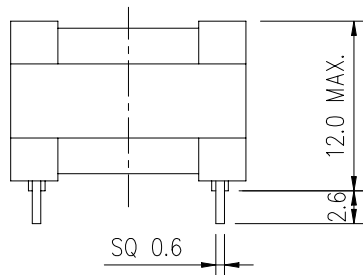
19.5 dB MIN. , 1KHz

15 dB MIN. , 4KHz

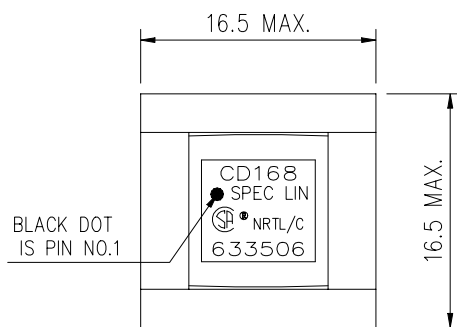
TOTAL HARMONIC DISTORTION : -82 dB MAX. @ 600Hz, -10dBm

LONGITUDINAL BALANCE : 80 dB MIN. @ 200Hz - 4KHz

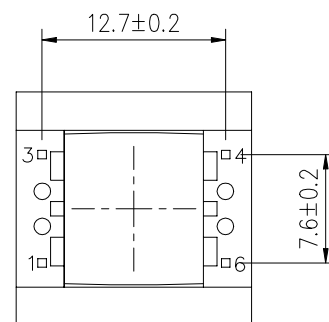
HI-POT TEST : 3.75 KVAC MIN. BETWEEN PRI. & SEC. 1mA FOR 1 MINUTE



SCHEMATIC



TOP VIEW



BOTTOM VIEW

**SPEC LIN ENTERPRISE CO. LTD.**

2F, No. 6, ALLEY 17, LANE 42, CHUNG HSING N. ST.  
SAN CHUNG CITY, TAIPEI, TAIWAN

TEL: 886-2-29991394 FAX: 886-2-22781629

AGENCY NO.

UL NO. : E181559

CSA NO. : LR107869

ISO 9002: 036809750

DRAWING NO.

**633506**

UNITS  
mm

SHEET  
1 OF 1

