

Thru Hole Transformer

SPECIFICATIONS : **56 Kbps**

N P 99100274

ELECTRICAL :

IMPEDANCE : PRI. & SEC.= 600 OHMS EACH (REF.)

DESIGNED TO REFLECT : 600 OHMS \pm 3% ON PRI. WITH

274 OHMS LOAD ON SEC. @ 1KHz, 1Vrms

D.C. RESISTANCE : PRI. = 187 OHMS \pm 10% @ 20°C

SEC. = 141 OHMS \pm 10%

TURN RATIO : (PRI. : SEC.) = 1 : 1 \pm 1%

D.C. CURRENT : NONE

INDUCTANCE : 24 H MIN. (TYP. 30 H) @ 250Hz, 1Vrms ON PARALLEL

INSERTION LOSS : 3.5 dB MAX. @ 1KHz

FREQUENCY RESPONSE : \pm 0.15 dB @ 300Hz - 4KHz

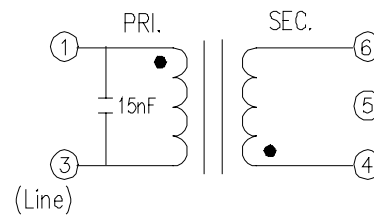
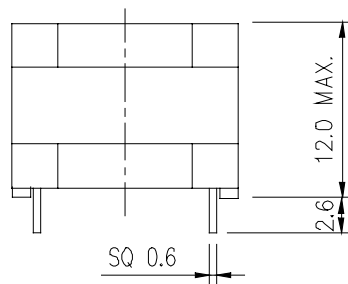
RETURN LOSS : 20 dB MIN. @ 200Hz - 4KHz

TOTAL HARMONIC DISTORTION : -83 dB MAX. , 300Hz, -10dBm

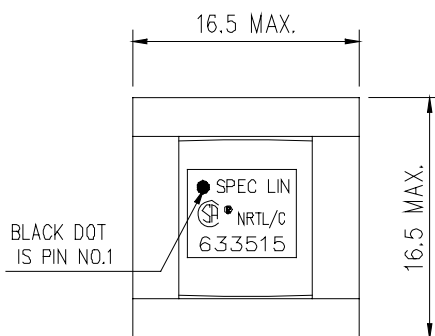
-78 dB MAX. , 150Hz, -3dBm

LONGITUDINAL BALANCE : 80 dB MIN. @ 200Hz - 4KHz

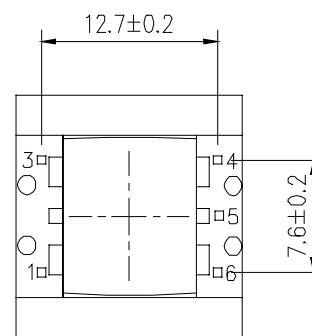
HI-POT TEST : 3.75 KVAC MIN. BETWEEN PRI. & SEC. 1mA FOR 2 SECONDS



SCHEMATIC



TOP VIEW



BOTTOM VIEW

SPEC LIN ENTERPRISE CO. LTD.

2F, No. 6, ALLEY 17, LANE 42, CHUNG HSING N.S.T.
SAN CHUNG CITY, TAIPEI, TAIWAN

TEL: 886-2-29991394 FAX: 886-2-22781629

AGENCY NO.

UL NO. : E181559

CSA NO. : LR107869

ISO 9002 : 036809750

EN60950 : P 99100274

DRAWING NO.

633515

UNITS

mm

SHEET

1 OF 1

