

# SPEC LIN ENTERPRISE CO., LTD.

## SPECIFICATION

CUSTOMER :

MODEL NO : VT-SLD0515

REV. : 1.0

DOCUMENT NO : VT-SLD0515

DATE : 2008/03/21

### 1. General

This specification describes DC/DC POWER CONVERTER

### 2. Input Characteristics

Parameter	Symbol	Min	Nom	Max	Unit	Remark
Input Voltage	V <sub>in</sub>	9	12.5	16.0	Vdc	
Input Current(output at no load)	I <sub>in</sub>	*	*	15	mA	input 12Vdc
Input Current(output at full load)	I <sub>in</sub>	*	*	550	mA	input 12Vdc

### 3. Power Output Characteristics

#### 3-1. Power Output Voltage

Parameter	Min ( Vrms )	Nom ( Vrms )	Max ( Vrms )
5V	4.75	5.0	5.25

The output voltage is measured at the connector at the output end of the cable.

#### 3-2. Power Output Current

Parameter	Min ( Vrms )	Nom ( Vrms )	Max ( Vrms )
5 V	0.0	1000mA	1000mA

The minimum and maximum continuous output current are listed in this section.

#### 3-3. Output Ripple / Noise

Parameter	Min ( Vrms )	Nom ( Vrms )	Max ( Vrms )
5 V	————	*	*

The tested frequency 20MHz and 0.1uF and 47uF capacitance at output connector terminal for ripple and noise test.

### 4. General Specifications

Parameter	Result	Remark
Temperature	0 ~ 40°C	Operating
	- 20 ~ + 85°C	Storage
Humidity	0 ~ 90%RH	Operating
	0 ~ 90%RH	Storage

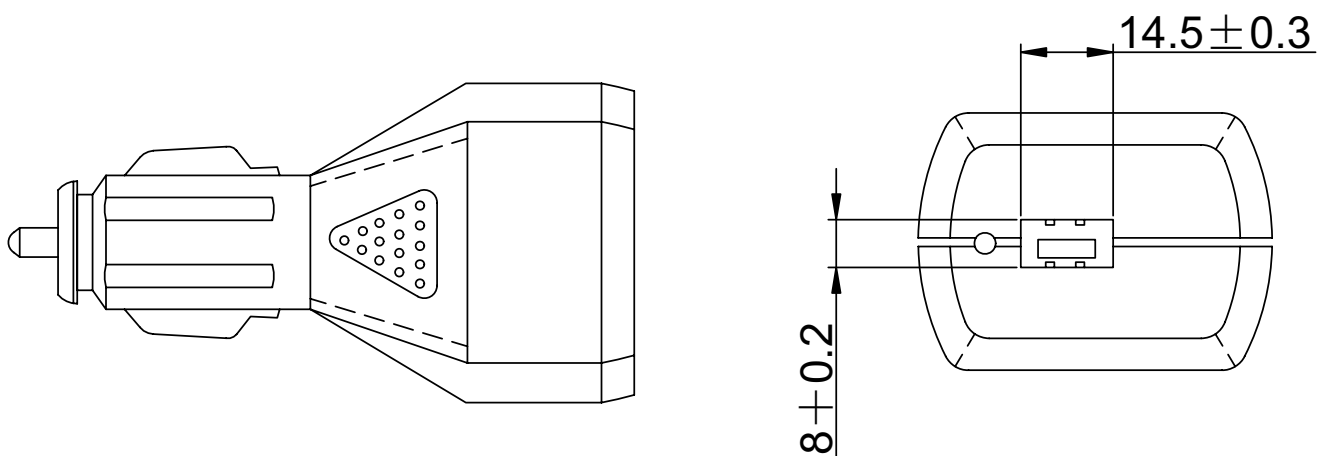
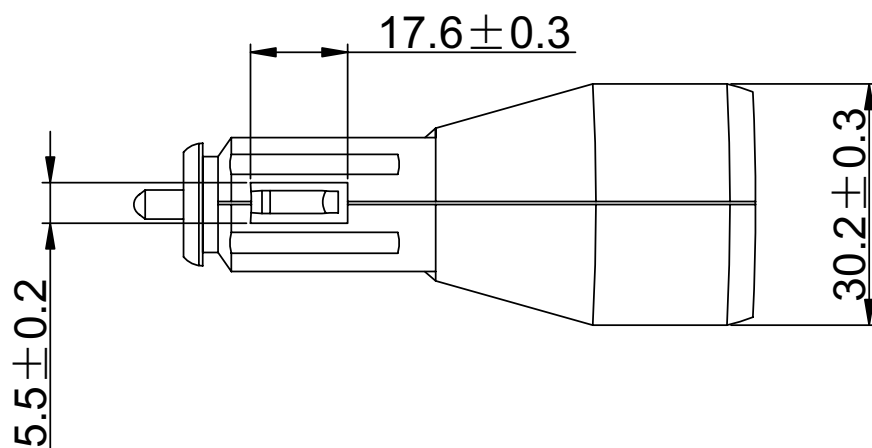
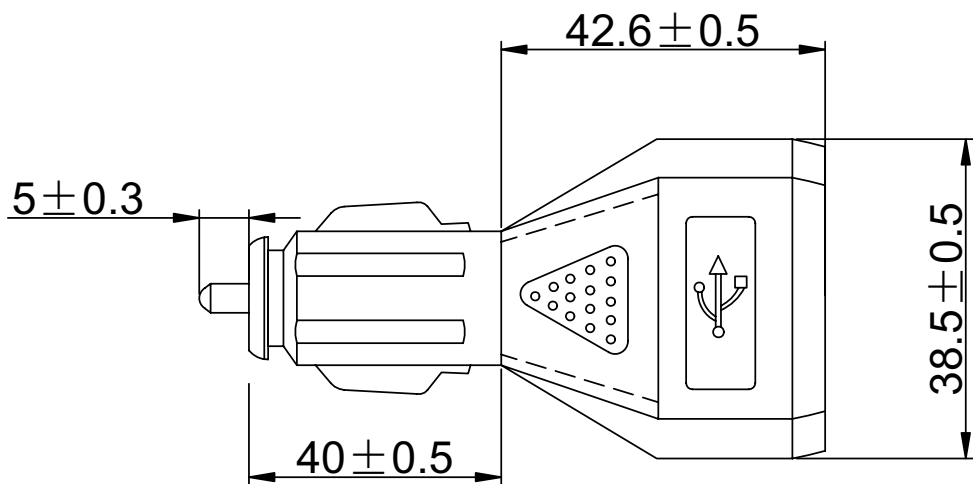
### 5. Mechanical Requirements

L : 84mm \* W : 38.5mm \* H : 30mm

Approved by :

Check by:

Lister by:



备注:

1.单位:mm

2.ABS料.黑色

制作日期	2008.01.22	比例		原版本次		变更内容		变更时间	
图号		单位	mm						
客户料号		版次	A1						
适用機種									
吳江錦林電子有限公司 SPEC LIN ENTERPRISE CO.,LTD.			繪圖	黃滕娇	審核		核准		

## *Certificate of Compliance*

Product Name : Car Charger  
Model Number : VT-SLD0515, VT-SLD0515-USB  
Applicant : SPEC LIN ENTERPRISE CO., LTD.  
Address : 2F-1, NO.6, Alley 17, Lance 42, Chung Hsing N.St, San Chung City,  
Taipei Hsien, Taiwan,R.O.C.  
Report Number : C22-A450-0803-324  
Issue Date : April 3, 2008  
Applicable Standards : EN 55022:2006 Class B  
EN 55024:1998+A1:2001+A2:2003  
EN 61000-4-2:1995+A1:1998+A2:2001  
EN 61000-4-3:2006  
EN 61000-4-8:1993+A1:2001

One sample of the designated product has been tested in our laboratory and found to be in compliance with the EMC standards cited above.



TAF 0905  
FCC CAB Code TW1021  
NVLAP Lab Code 200575-0  
IC Code 4699A  
VCCI Accept. No. R-1527, C-1609, T-131



**Central Research Technology Co.**  
EMC Test Laboratory  
11, Lane41, Fushuen St., Jungshan Chiu,  
Taipei, Taiwan, 104, R.O.C.  
Tel : 886-2-25984568  
Fax: 886-2-25984546

(Tsun-Yu Shih/ General Manager)

Date: April 3, 2008