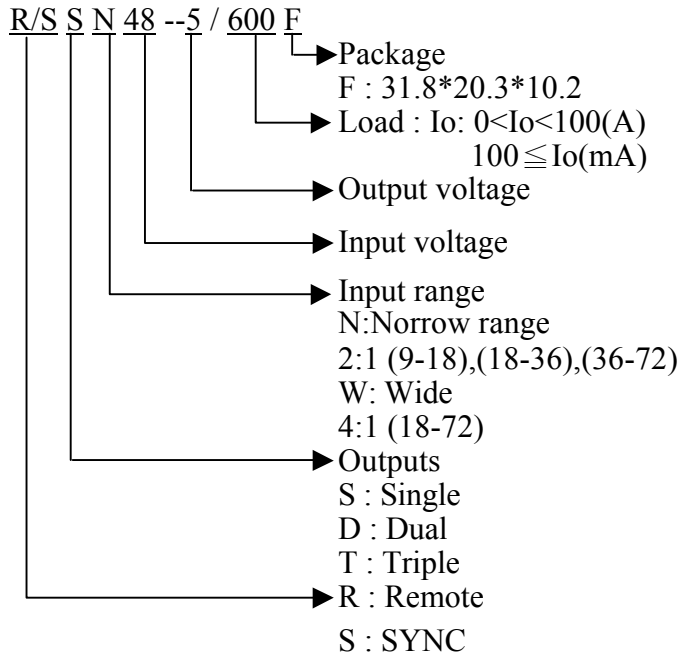




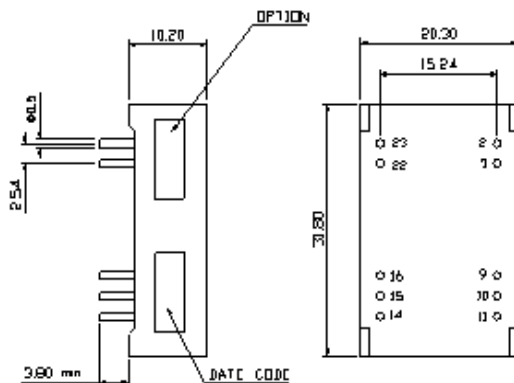
### Part Number SPECLIN



### Characteristics:

- ✧ Input under-voltage protection
- ✧ Input over-voltage protection
- ✧ Output voltage adjustable
- ✧ Output over current protection
- ✧ High efficiency, high density and high reliability
- ✧ Pall application

### Mechanical drawing



### PIN Definition

PIN	2	3	9	10	11	14	15	16	22	23
S	+Vin	+Vin	NC	+Vout	+Vout	-Vout	-Vout	NC	-Vin	-Vin

NOTICE : Without Note Tolerance: .X±0.5

### 3W

REMOTE SYNC	P/N	Vin range	V <sub>0</sub> (VDC)	Load <sub>(A)</sub>	$\eta$ (TYPE)
R/S	SN12-5/600-D	9月18日	5	0.6	78%
R/S	SN24-5/600-D	18-36	5	0.6	78%
R/S	SN48-5/600-D	36-72	5	0.6	78%
R/S	SW48-5/600-D	9-36	5	0.6	78%
R/S	SW48-5/600-D	18-72	5	0.6	78%

### Specifications

1	Input voltage range	48:36~72Vdc;24:18~36Vdc;12:9~18Vdc
2	Output voltage accuracy	±1%
3	Line regulation	±0.2% max
4	Load Regulation	±0.5% max
5	Output timing	±10%
6	Over Current Protection Poin	120%-150%
7	Efficiency	80%
8	Switching Frequency	300KHz
9	Isolation voltage	1500Vdc
10	Temperature Coefficient	±0.02%/°C
11	Storing Temperature	-40°C--105°C
12	Operating Temperature	-25°C--85°C
13	Weight	10g
14	Relative Humidity	10%--90%



