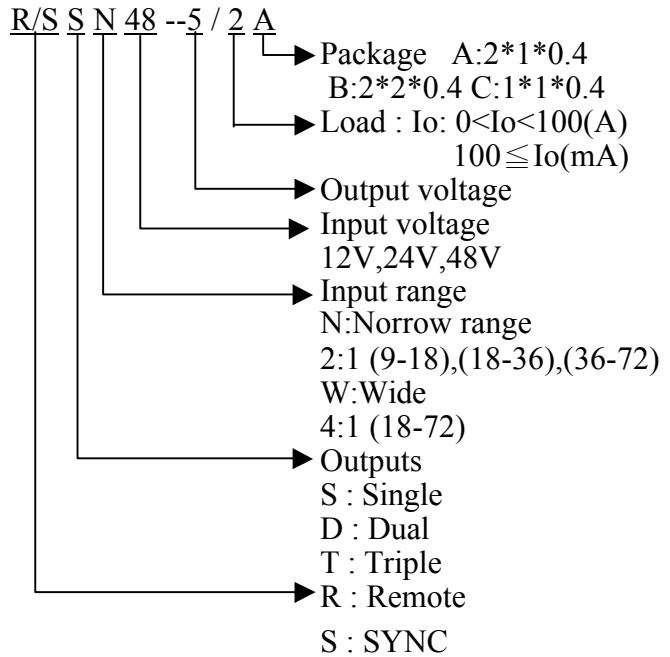




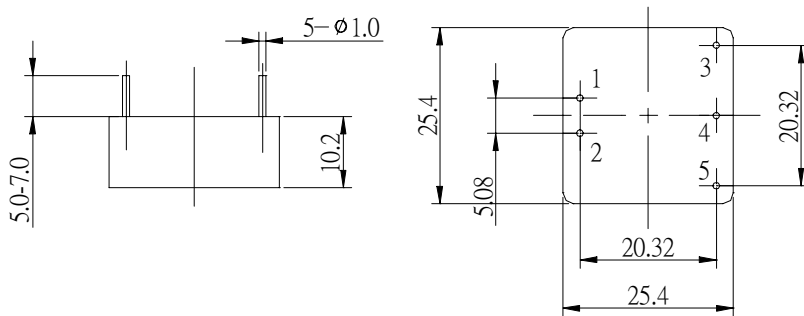
**Part Number SPECLIN**



**Characteristics:**

- ✧ Input under-voltage protection
- ✧ Input over-voltage protection
- ✧ Output voltage adjustable
- ✧ Output over current protection
- ✧ High efficiency, high density and high reliability
- ✧ Pall application

**Mechanical drawing**



**PIN Definition**

PIN	1	2	3	4	5
S	+Vin	-Vin	+Vout	No PIN	-Vout
D	+Vin	-Vin	+Vout	COM	-Vout

NOTICE : Without Note Tolernance . ±0.X

## 10W

SYNC \	P/N	Vin range	V <sub>0</sub> (VDC)	Load <sub>(A)</sub>	$\eta$ (TYPE)
R/S	SN48-3.3/3-A	36-72	3.3	3	82%
R/S	SN48-5/2-A	36-72	5	2	82%
R/S	SN48-12/0.85-A	36-72	12	0.85	82%
R/S	SN48-15/0.7-A	36-72	15	0.7	82%

## Specifications

1	Input voltage range	48:36~72Vdc;24:18~36Vdc;12:9~18Vdc
2	Output voltage accuracy	±1%
3	Line regulation	±0.2% max
4	Load Regulation	±0.5% max
5	Output timing	±10%
6	Over Current Protection Point	120%-150%
7	Efficiency	82%
8	Switching Frequency	300KHz
9	Isolation voltage	1500Vdc
10	Temperature Coefficient	±0.02%/°C
11	Storing Temperature	-40°C--105°C
12	Operating Temperature	-25°C--85°C
13	Weight	18g
14	Relative Humidity	10%--90%



