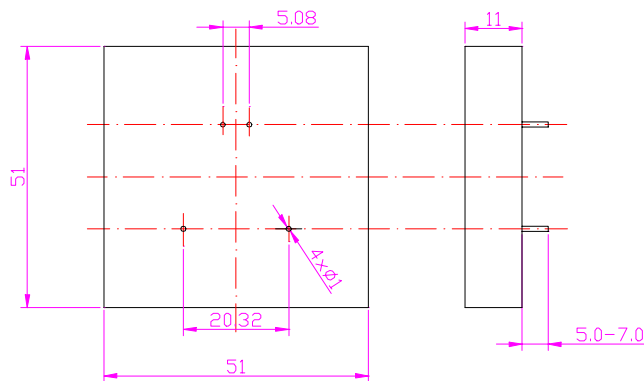


Characteristics:

- ✧ Input under-voltage protection
- ✧ Input over-voltage protection
- ✧ Output voltage adjustable
- ✧ Output over current protection
- ✧ High efficiency, high density and high reliability
- ✧ Pall application

Mechanical drawing



PIN Definition

PIN	1	2	3	4	5
S	+Vin	-Vin	+Vout	No PIN	-Vout
D	+Vin	-Vin	+Vout	ADJ	-Vout

NOTICE : Without Note Tolernance .X±0.5

60W

SYNC \	P/N	Vin range	V ₀ (VDC)	Load _(A)	η (TYPE)
R/S	SN48-5/12-B	36-72	5	12	85%
R/S	SN48-12/5-B	36-72	12	5	85%
R/S	SN48-15/4-B	36-72	12	4	85%

Specifications

1	Input voltage range	48:36~72Vdc;24:18~36Vdc;12:9~18Vdc
2	Output voltage accuracy	±1%
3	Line regulation	±0.2% max
4	Load Regulation	±0.5% max
5	Output timing	±10%
6	Over Current Protection Poin	120%-150%
7	Efficiency	82%
8	Switching Frequency	300KHz
9	Isolation voltage	1500Vdc
10	Temperature Coefficient	±0.02%/°C
11	Storing Temperature	-40°C --105°C
12	Operating Temperature	-25°C --85°C
13	Weight	18g
14	Relative Humidity	10%--90%

