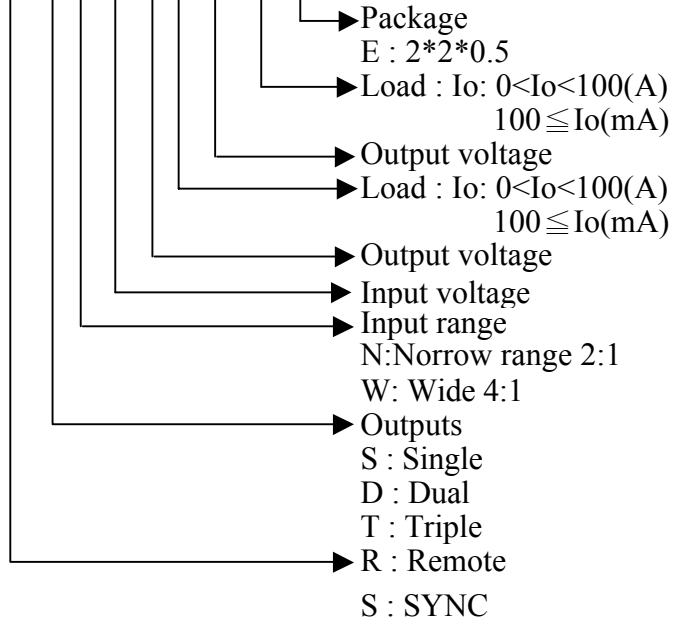




Part Number SPECLIN

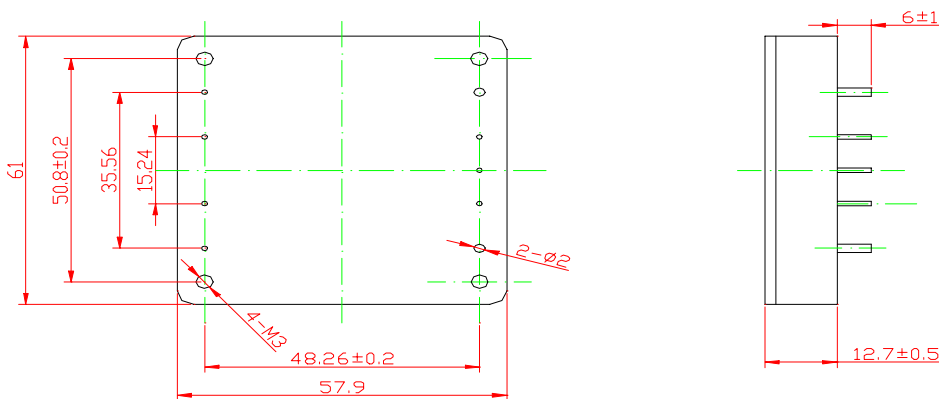
R/S S N 48-5/7-3.3/10-E



Characteristics:

- ✧ Input under-voltage protection
- ✧ Input over-voltage protection
- ✧ Output voltage adjustable
- ✧ Output over current protection
- ✧ High efficiency, high density and high reliability
- ✧ Pall application

Mechanical drawing



PIN Definition

PIN	1	2	3	4	5	6	7	8	9	10
S	+Vin	CASE	RC	+Vin	TRM		-Vout			t
S	+Vin	CASE	RC	+Vin	TRM	-Vout	+Vout	TRM	-Vout	t

NOTICE : Without Note Tolernance: .X±0.5

70W

REMOTE SYNC	P/N	Vin range	V ₀ (VDC)	Load _(A)	η (TYPE)
R/S	RDN48-5-7-3.3/10-F	36-72	3.3	10	85%
R/S	RDN48-5-7-3.3/10-F	36-72	5	0.6	85%

Specifications

1	Input voltage range	48:36~72Vdc;24:18~36Vdc;12:9~18Vdc
2	Output voltage accuracy	±1%
3	Line regulation	±0.2% max
4	Load Regulation	±0.5% max
5	Output timing	±10%
6	Over Current Protection Poin	120%-150%
7	Efficiency	80%
8	Switching Frequency	300KHz
9	Isolation voltage	1500Vdc
10	Temperature Coefficient	±0.02%/°C
11	Storing Temperature	-40°C--105°C
12	Operating Temperature	-25°C--85°C
13	Weight	10g
14	Relative Humidity	10%--90%

