

HDSL Transformer

(MATCHED TO BROOKTREE BT 8921/BT8970 IC)

SPECIFICATIONS :

ELECTRICAL :

D.C. RESISTANCE : 6-7 = 2.2 OHMS MAX. @ 20°C

8-9 = 2.2 OHMS MAX.

2-4 = 1.4 OHMS MAX.

TURN RATIO : (2-4) : (6-9) = 1 : 2 ± 1% (TIE 7+8)

D.C. CURRENT : 70 mA MAX.

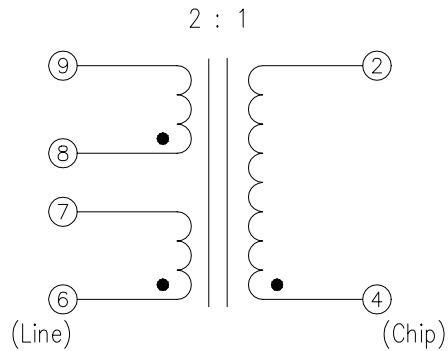
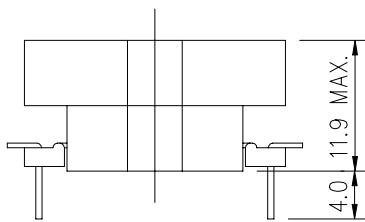
INDUCTANCE(6-9) : 2.0 mH ± 6% @ 10KHz, 0.1Vrms (TIE 7+8)

LEAKAGE INDUCTANCE (9-6) : 15 μH MAX. @ 100KHz, 0.1Vrms (TIE 2+4,7+8)

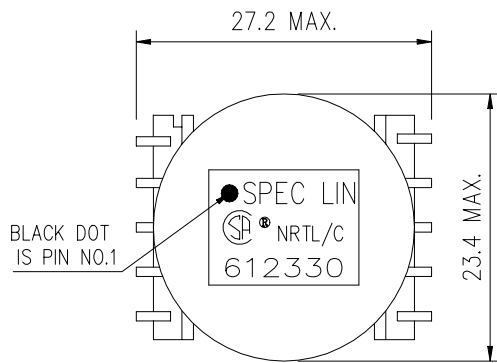
RETURN LOSS : 16.5 dB MIN. @ 40KHz - 320KHz,

TOTAL HARMONIC DISTORTION : -75 dB TYP @ 200KHz, 6V 135 OHMS

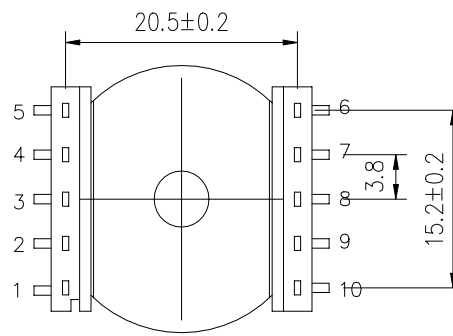
HI-POT TEST : 1.50 KVAC MIN. BETWEEN PRI. & SEC. 1mA FOR 2 SECONDS



SCHEMATIC



TOP VIEW



BOTTOM VIEW

CHECKUP : _____

DESIGN : _____

DRAWER : _____

SPEC LIN ENTERPRISE CO. LTD.

2F, No.6, ALLEY 17, LANE 42, CHUNG HSING N. ST.
SAN CHUNG CITY, TAIPEI, TAIWAN
TEL: 886-2-29991394 FAX: 886-2-22781629

AGENCY NO.

UL NO. : E181559

CSA NO. : LR107869

ISO 9002: 036809750

DRAWING NO.

612330

UNITS
mm

SHEET
1 OF 1

