

# HDSL Transformer

( MIDCOM-50050 )

SPECIFICATIONS :

ELECTRICAL :

D.C. RESISTANCE : PRI. = 2.5 OHMS MAX.

SEC. = 1.0 OHMS MAX.

INDUCTANCE (1-5) : 2.0mH  $\pm$  6% @ 10KHz, 100mVAC , WITH 2-4 shorted.

LEAKAGE INDUCTANCE :(1-5) 11.0  $\mu$ H NAX. @100KHz, 100mVAC , WITH(2-4 ,& 7-9 )BOTH shorted.

FREQUENCY RESPONSE :  $\pm$ 0.1dB , @ 33KHz--100KHz

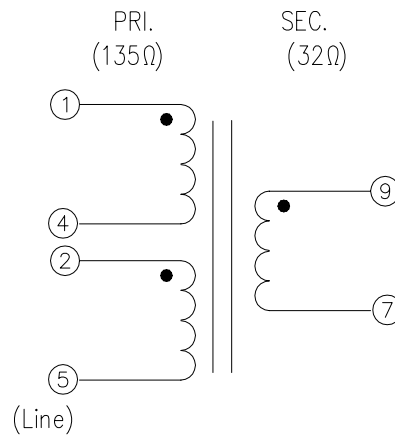
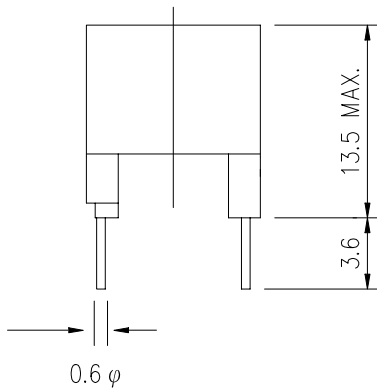
D.C. CURRENT : 160mA

RETURN LOSS : 16.5dB MIN. @ 40K--300KHz

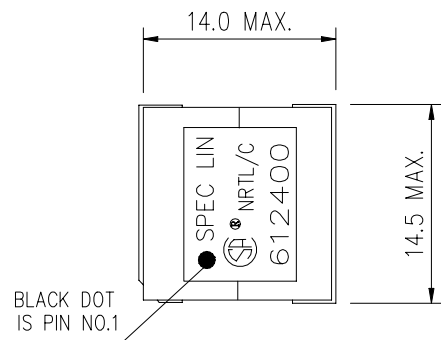
TURN RATIO : (PRI. : SEC.)= 2 : 1  $\pm$  1%

T.H.D : 70dB MIN. @ 20KHz , 4.5VP-P

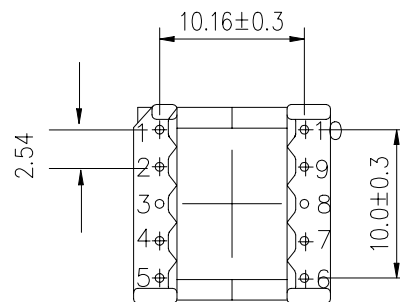
HI-POT TEST : 2050VAC PRI. — SEC.



SCHEMATIC



TOP VIEW



BOTTOM VIEW

CHECKUP : \_\_\_\_\_

DESIGN : \_\_\_\_\_

DRAWER : \_\_\_\_\_

**SPEC LIN ENTERPRISE CO. LTD.**

2F, No.6, ALLEY 17, LANE 42, CHUNG HSING N.ST.  
SAN CHUNG CITY, TAIPEI, TAIWAN  
TEL: 886-2-29991394 FAX: 886-2-22781629

AGENCY NO.

UL NO. : E181559

CSA NO. : LR107869

ISO 9002 : 036809750

DRAWING NO.

**612400**

UNITS  
mm

SHEET  
1 OF 1

