

# HDSL Transformer

DESIGNED FOR USE WITH LEVEL ONE HDSL IC ,S; SK70720 AND SK70721

D.C. RESISTANCE : 4-2 = 2.35 OHMS  $\pm$  10% @ 20°C  
 6-7 = 2.10 OHMS  $\pm$  10%  
 9-10 = 2.10 OHMS  $\pm$  10%

INDUCTANCE : 3.60 mH  $\pm$  10% @ 1KHz, 1.0 VAC, 0/160mADC, 4-2, Ls

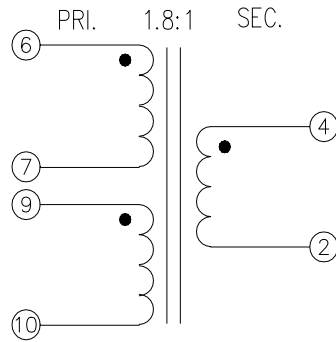
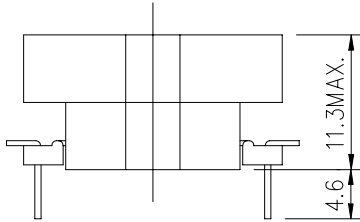
LEAKAGE INDUCTANCE : 17.5 $\mu$ H MAX. 100KHz , 100mAAC, 4-2(TIE 6+10 , 7+9 ) Ls.

TOTAL HARMONIC DISTORTION : -70dB MAX. 6KHz, 2VRMS DRIVE SIGNAL AT PRI.

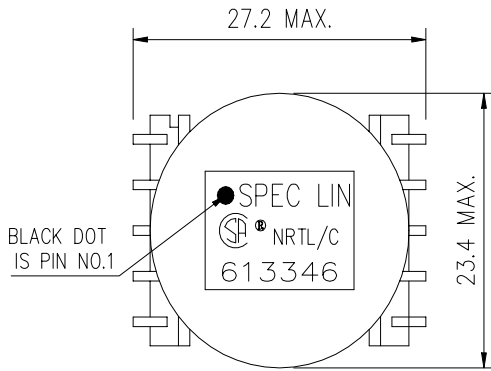
INTERWINDING CAPACITANCE : 75pF MAX. 100KHz, 1.0VAC, 6-4 (TIE 7+9)Cs.

URNS RATIO : 1.8:1 (PRI :SEC)

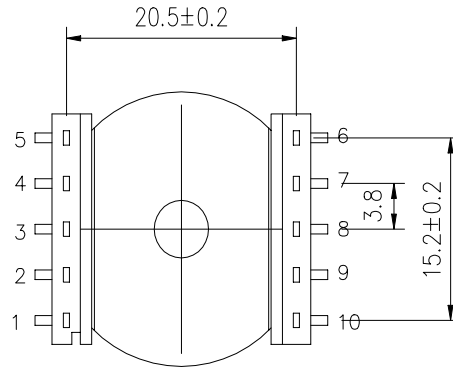
HI-POT : 1.50 KVAC 1 SEC.



SCHEMATIC



TOP VIEW



BOTTOM VIEW

CHECKUP : \_\_\_\_\_ DESIGN : \_\_\_\_\_ DRAWER : \_\_\_\_\_

**SPEC LIN ENTERPRISE CO. LTD.**

2F, No.6, ALLEY 17, LANE 42, CHUNG HSING N. ST.  
 SAN CHUNG CITY, TAIPEI, TAIWAN  
 TEL: 886-2-29991394 FAX: 886-2-22781629

AGENCY NO.

UL NO. : E181559

CSA NO. : LR107869

ISO 9002 : 036809750

DRAWING NO.

**613346**

UNITS  
mm

SHEET  
1 OF 1

