

# ISDN Pulse Transformer

( Designed for use in ISDN "U"  
2B1Q interface applications )

SPECIFICATIONS :

ELECTRICAL :

DESIGNED TO REFLECT : 135 OHMS ON PRI. WITH @ 10KHz, 1Vrms

75 OHMS LOAD ON SEC.

D.C. RESISTANCE : PRI. = 8 OHMS MAX. @ 20°C

SEC. = 12 OHMS MAX.

TURN RATIO : (PRI. : SEC.) = 1.25 : 1 ± 1%

D.C. CURRENT : 60 mA MAX. IN PRI.

INDUCTANCE : 26.5 - 30.0 mH @ 10KHz, 1Vrms, 60mADC ON SERIES

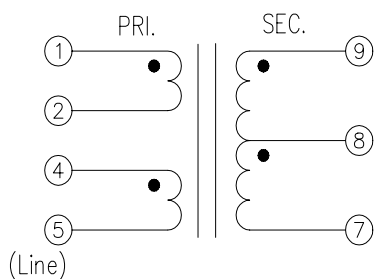
INTERWINDING CAPACITANCE : 150 pF MAX. @ 10KHz, 1Vrms

FREQUENCY RESPONSE : ±0.5 dB @ 2KHz - 200KHz, 10KHz REF. POINT

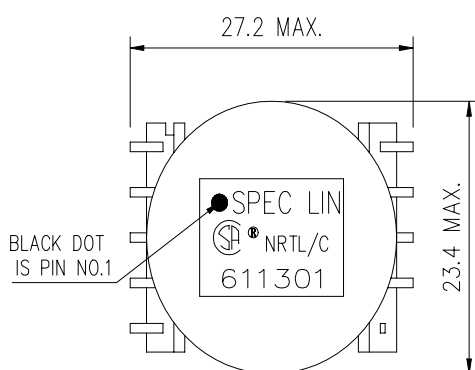
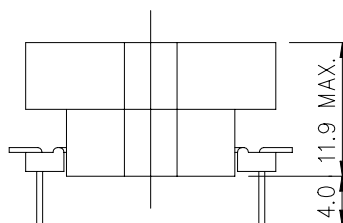
RETURN LOSS : 30 dB TYP. @ 10KHz - 20KHz

135 OHMS ON PRI. VS 75 OHMS LOAD ON SEC.

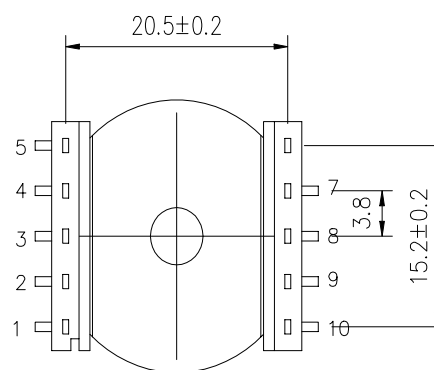
DIELECTRIC TEST : 1.50 KVAC MIN. BETWEEN PRI. & SEC. 1mA FOR 2 SECONDS



SCHEMATIC



TOP VIEW



BOTTOM VIEW

**SPEC LIN ENTERPRISE CO. LTD.**

2F, No. 6, ALLEY 17, LANE 42, CHUNG HSING N. ST.  
SAN CHUNG CITY, TAIPEI, TAIWAN  
TEL: 886-2-29991394 FAX: 886-2-22781629

AGENCY NO.

UL NO. : E181559

CSA NO. : LR107869

ISO 9002 : 036809750

DRAWING NO.

**611301**

UNITS  
mm

SHEET  
1 OF 1

