

ISDN U- INTERFACE Transformer

SMALL SURFACE MOUNT PACKAGE

For Applications in 2B1Q and 4B3T Coding

SPECIFICATIONS :

ELECTRICAL :

D.C. RESISTANCE : 1-5 = 15.66 OHMS MAX. (TIE2+4) @ 25°C
 10-6 = 11.0 OHMS MAX.

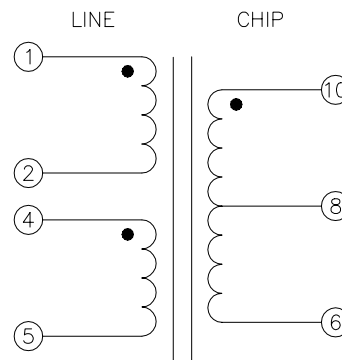
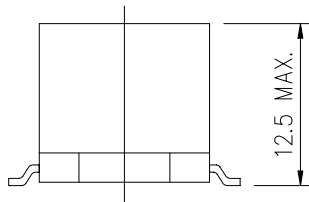
INDUCTANCE : 1-5 = 25.5-30.5 mH @ 10KHz ,1V Ls 40mA TIE(2+4)

TURNS RATIO : (1-5):(6-10)= 1.25 : 1± 2% TIE(2+4)

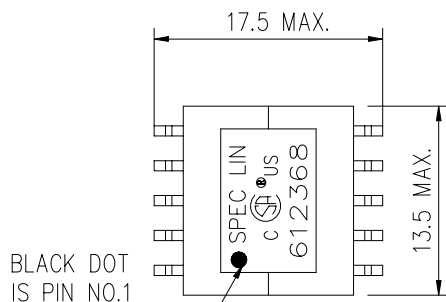
RETURN LOSS : 20 dB MIN.@ 10KHz - 25KHz

LONGITUDINAL BALANCE : 55 dB MIN.@ 281Hz - 40KHz

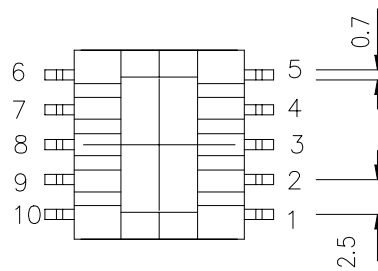
HI-POT TEST : 1500 VAC MIN. BETWEEN LINE & CHIP FOR 1mA 2 SECONDS



SCHEMATIC



TOP VIEW



BOTTOM VIEW

CHECKUP : _____ DESIGN : _____ DRAWER : _____

SPEC LIN ENTERPRISE CO. LTD.

2F, No.6, ALLEY 17, LANE 42, CHUNG HSING N.ST.
 SAN CHUNG CITY, TAIPEI, TAIWAN
 TEL: 886-2-29991394 FAX: 886-2-22781629

AGENCY NO.

UL NO. : E181559

CSA NO. : LR107869

ISO 9002: 036809750

DRAWING NO.

612368

UNITS
mm

SHEET
1 OF 1

