

ISDN U-INTERFACE Transformer For Application with 2B1Q and 4B3T Coding

SPECIFICATIONS :

ELECTRICAL :

D.C. RESISTANCE : 1-4 = 5.2 OHMS \pm 15% @ 25°C (TIE 2+3)

5-7 = 3.0 OHMS \pm 15%

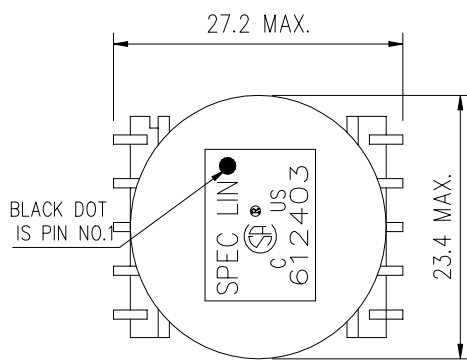
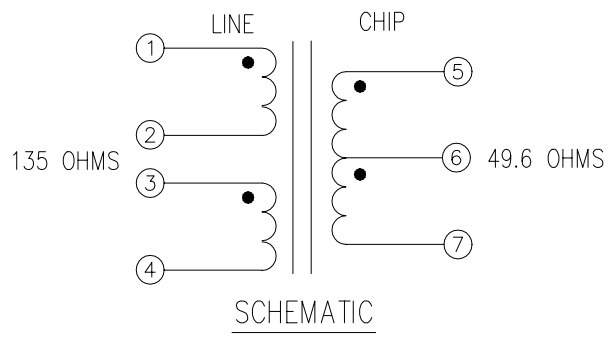
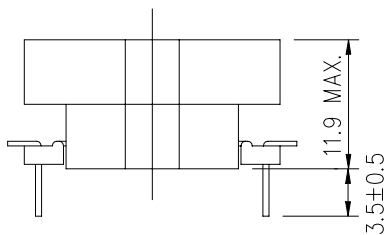
TURN RATIO : (LINE : CHIP) = 1.65 : 1 \pm 3%

INDUCTANCE : 1-4 = 15 ~ 18 mH @ 10KHz, 0.1Vrms, Ls

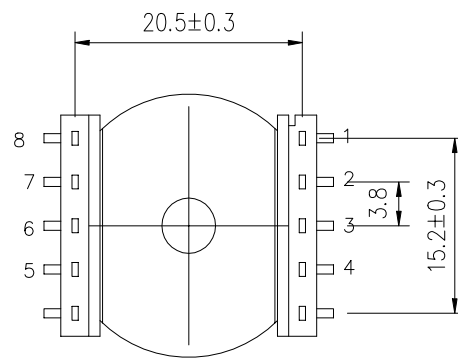
RETURN LOSS : 20 dB MIN. @ 10KHz - 25KHz

LONGITUDINAL BALANCE : 55 dB MIN. @ 281Hz - 40KHz

HI-POT TEST : 2.00 KVAC MIN. BETWEEN LINE & CHIP 1mA FOR 2 SECONDS



TOP VIEW



BOTTOM VIEW

CHECKBY: _____

DESIGN : _____

DRAWER : _____

SPEC LIN ENTERPRISE CO. LTD.

2F, No. 6, ALLEY 17, LANE 42, CHUNG HSING N. ST.

SAN CHUNG CITY, TAIPEI, TAIWAN

TEL: 886-2-29991394 FAX: 886-2-22781629

AGENCY NO.

UL NO. : E181559

CSA NO. : LR107869

ISO 9002 : 036809750

DRAWING NO.

612403

UNITS
mm

SHEET
1 OF 1

