

Linear Power Adapters & Transformers

L3C Series



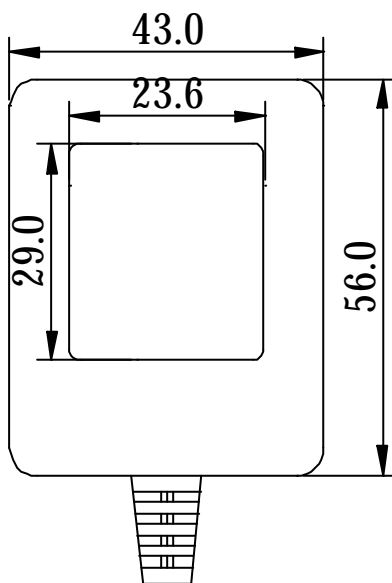
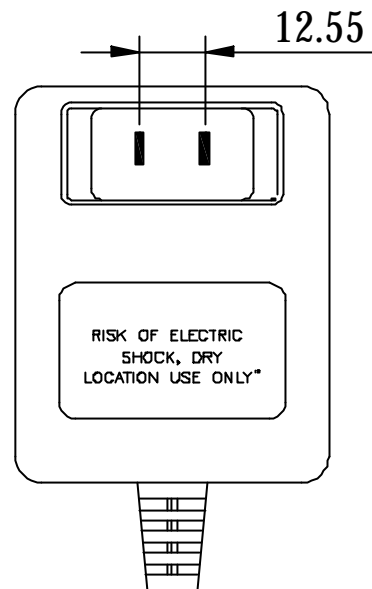
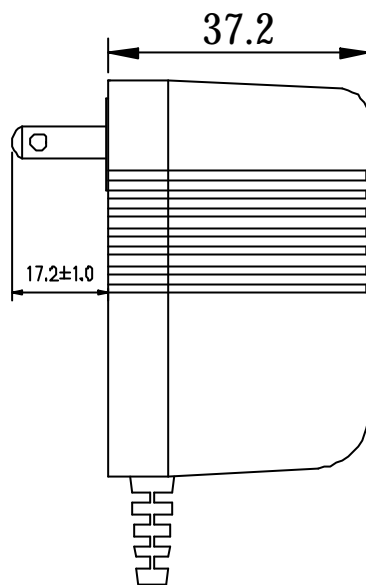
AC/AC ADAPTERS

TUV NO.: S9853543

UL NO.: E192841

| No | Model No. | INPUT(AC) | | OUTPUT(AC) | | TUV Listed | CE Listed | CB Listed | UL Listed | CUL Listed |
|----|------------|-----------|----|------------|---------------|------------|-----------|-----------|-----------|------------|
| | | VOLT. | Hz | VOLTAGE | Full Load(mA) | | | | | |
| 1 | L3C-030035 | 120 | 60 | 3 | 350 | | | | | |
| 2 | L3C-030050 | 120 | 60 | 3 | 500 | | | | | |
| 3 | L3C-030065 | 120 | 60 | 3 | 650 | | | | | |
| 4 | L3C-045035 | 120 | 60 | 4.5 | 350 | | | | | |
| 5 | L3C-045050 | 120 | 60 | 4.5 | 500 | | | | | |
| 6 | L3C-050045 | 120 | 60 | 5 | 450 | | | | | |
| 7 | L3C-060015 | 120 | 60 | 6 | 150 | | | | | |
| 8 | L3C-060020 | 120 | 60 | 6 | 200 | | | | | |
| 9 | L3C-060025 | 120 | 60 | 6 | 250 | | | | | |
| 10 | L3C-060030 | 120 | 60 | 6 | 300 | | | | | |
| 11 | L3C-060040 | 120 | 60 | 6 | 400 | | | | | |
| 12 | L3C-075015 | 120 | 60 | 7.5 | 150 | | | | | |
| 13 | L3C-075020 | 120 | 60 | 7.5 | 200 | | | | | |
| 14 | L3C-075025 | 120 | 60 | 7.5 | 250 | | | | | |
| 15 | L3C-075030 | 120 | 60 | 7.5 | 300 | | | | | |
| 16 | L3C-075035 | 120 | 60 | 7.5 | 350 | | | | | |
| 17 | L3C-075040 | 120 | 60 | 7.5 | 400 | | | | | |
| 18 | L3C-090010 | 120 | 60 | 9 | 100 | | | | | |
| 19 | L3C-090015 | 120 | 60 | 9 | 150 | | | | | |
| 20 | L3C-090020 | 120 | 60 | 9 | 200 | | | | | |
| 21 | L3C-090025 | 120 | 60 | 9 | 250 | | | | | |
| 22 | L3C-090030 | 120 | 60 | 9 | 300 | | | | | |
| 23 | L3C-120010 | 120 | 60 | 12 | 100 | | | | | |
| 24 | L3C-120015 | 120 | 60 | 12 | 150 | | | | | |
| 25 | L3C-120020 | 120 | 60 | 12 | 200 | | | | | |
| 26 | L3C-120025 | 120 | 60 | 12 | 250 | | | | | |
| 27 | L3C-120030 | 120 | 60 | 12 | 300 | | | | | |
| 28 | L3C-150010 | 120 | 60 | 15 | 100 | | | | | |
| 29 | L3C-150015 | 120 | 60 | 15 | 150 | | | | | |
| 30 | L3C-180010 | 120 | 60 | 18 | 100 | | | | | |
| 31 | L3C-180015 | 120 | 60 | 18 | 150 | | | | | |

Linear Power Adapters & Transformers



SPEC LIN
CLASS 2 TRANSFORMER
MODEL:L3C-120020
INPUT:120V~,60Hz,6.2W
OUTPUT:12VAC,200mA

SL Spec Lin Enterprise Co., Ltd.

2F,No.6,Alley 17 , Lane 42 , Chung Hsing N. St., San Chung City , Taipei Hsien , Taiwan , R.O.C

TEL : 886-2-2999-1395 FAX : 886-2-2278-1629 Email : speclin@ms22.hinet.net