

# Linear Power Adapters & Transformers

## L4D-XY Series

### AC/AC ADAPTERS



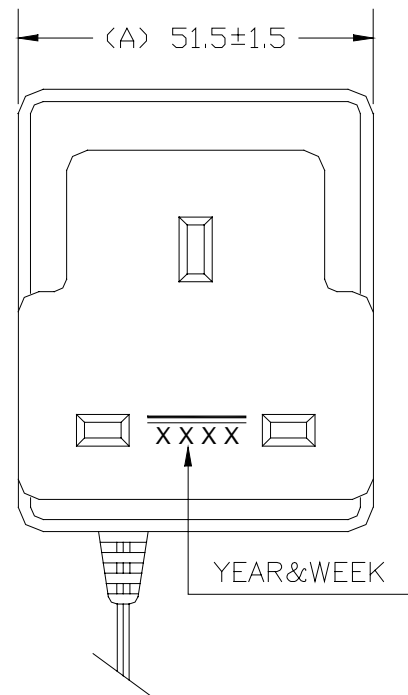
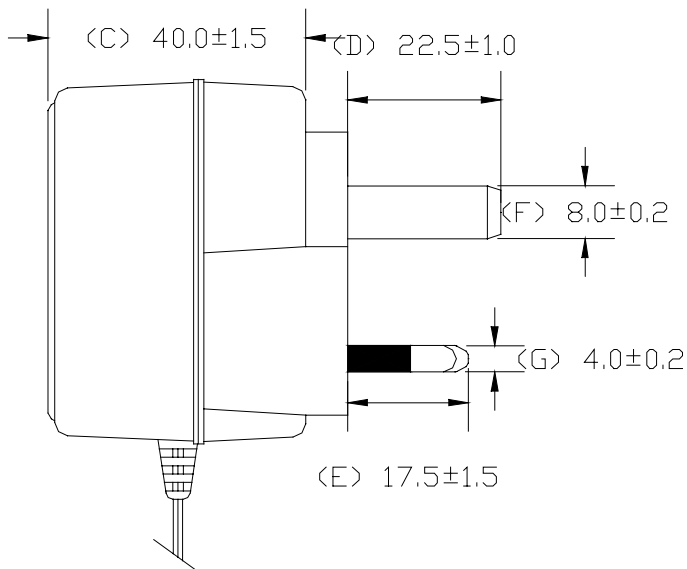
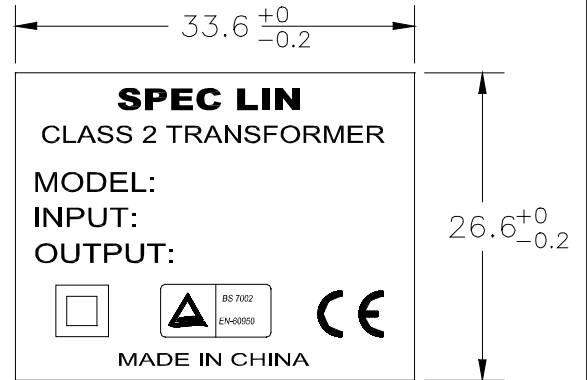
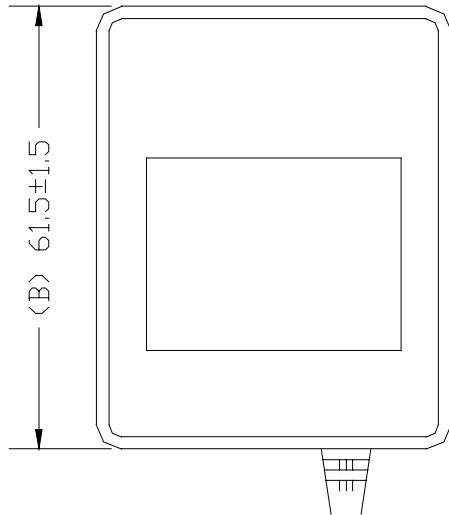
TUV NO.: S9853543

UL NO.: E192841

No	Model No.	INPUT(AC)		OUTPUT(AC)		TUV Listed	CE Listed	CB Listed	BS Listed	CUL Listed
		VOLT.	Hz	VOLTAGE	Full Load(mA)					
1	L4D-045100B	230	50	4.5	1000					
2	L4D-060080B	230	50	6	800					
3	L4D-060100B	230	50	6	1000					
4	L4D-075080B	230	50	7.5	800					
5	L4D-075100B	230	50	7.5	1000					
6	L4D-090065B	230	50	9	650					
7	L4D-090080B	230	50	9	800					
8	L4D-090100B	230	50	9	1000					
9	L4D-100100B	230	50	10	1000					
10	L4D-120060B	230	50	12	600					
11	L4D-120070B	230	50	12	700					
12	L4D-120080B	230	50	12	800					
13	L4D-120083B	230	50	12	830					
14	L4D-135060B	230	50	13.5	600					
15	L4D-150040B	230	50	15	400					
16	L4D-150050B	230	50	15	500					
17	L4D-160050B	230	50	16	500					
18	L4D-180040B	230	50	18	400					
19	L4D-180050B	230	50	18	500					
20	L4D-240030B	230	50	24	300					
21	L4D-240035B	230	50	24	350					

# Linear Power Adapters & Transformers

L4D-XYB      L4D-XYRB



**SL** Spec Lin Enterprise Co.,Ltd.

2F,No.6,Alley 17 , Lane 42 , Chung Hsing N. St., San Chung City , Taipei Hsien , Taiwan , R.O.C

TEL : 886-2-2999-1395 FAX : 886-2-2278-1629 E-mail : speclin@ms22.hinet.net