

Linear Power Adapters & Transformers

L4D-XYR Series



AC/DC ADAPTERS

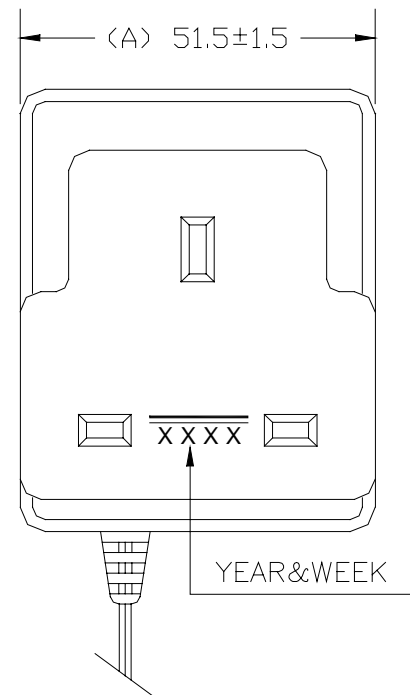
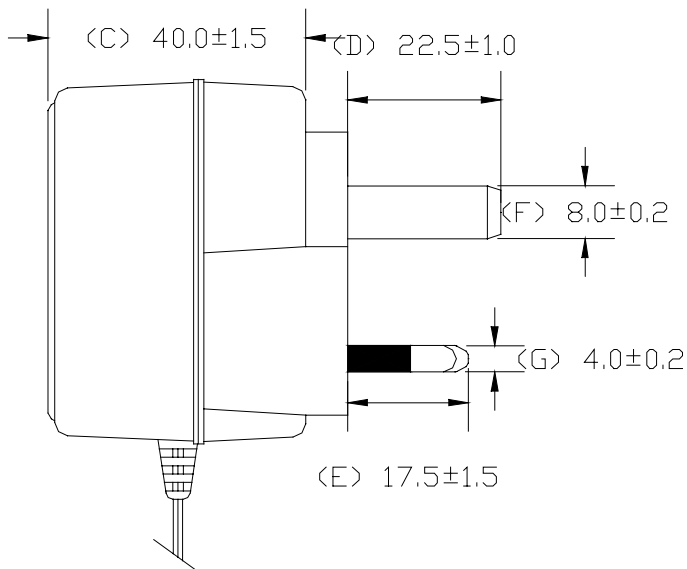
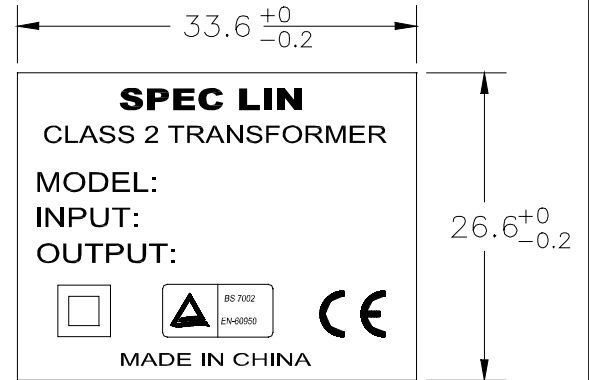
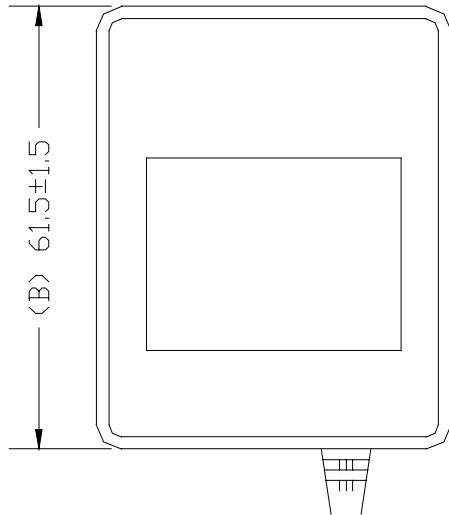
TUV NO.: S9853543

UL NO.: E192841

No	Model No.	INPUT(AC)		OUTPUT(DC)		TUV Listed	CE Listed	CB Listed	BS Listed	CUL Listed
		VOLT.	Hz	VOLTAGE	Full Load(mA)					
1	L4D-030080RB	230	50	3	800					
2	L4D-037070RB	230	50	3.7	700					
3	L4D-045060RB	230	50	4.5	600					
4	L4D-045075RB	230	50	4.5	750					
5	L4D-050060RB	230	50	5	600					
6	L4D-050080RB	230	50	5	800					
7	L4D-050100RB	230	50	5	1000					
8	L4D-060050RB	230	50	6	500					
9	L4D-060070RB	230	50	6	700					
10	L4D-060085RB	230	50	6	850					
11	L4D-060100RB	230	50	6	1000					
12	L4D-075040RB	230	50	7.5	400					
13	L4D-075050RB	230	50	7.5	500					
14	L4D-075076RB	230	50	7.5	760					
15	L4D-075090RB	230	50	7.5	900					
16	L4D-090040RB	230	50	9	400					
17	L4D-090050RB	230	50	9	500					
18	L4D-090060RB	230	50	9	600					
19	L4D-090070RB	230	50	9	700					
20	L4D-090080RB	230	50	9	800					
21	L4D-120030RB	230	50	12	300					
22	L4D-120040RB	230	50	12	400					
23	L4D-120050RB	230	50	12	500					
24	L4D-120065RB	230	50	13.5	650					
25	L4D-135040RB	230	50	13.5	400					
26	L4D-135050RB	230	50	13.5	500					
27	L4D-150040RB	230	50	15	400					
28	L4D-150050RB	230	50	15	500					
29	L4D-180030RB	230	50	18	300					
30	L4D-180040RB	230	50	18	400					
31	L4D-240025RB	230	50	24	250					
32	L4D-240030RB	230	50	24	300					

Linear Power Adapters & Transformers

L4D-XYB L4D-XYRB



SL Spec Lin Enterprise Co.,Ltd.

2F,No.6,Alley 17 , Lane 42 , Chung Hsing N. St., San Chung City , Taipei Hsien , Taiwan , R.O.C

TEL : 886-2-2999-1395 FAX : 886-2-2278-1629 E-mail : speclin@ms22.hinet.net