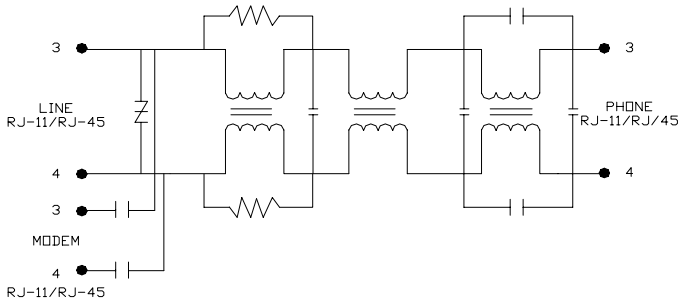


ADSL POTS SPLITTER

- Designs reference standard for ITU-T G.9921
- POTS loop DC currents from 0mA to 100mA
- Operation temperature -10 to 75°C



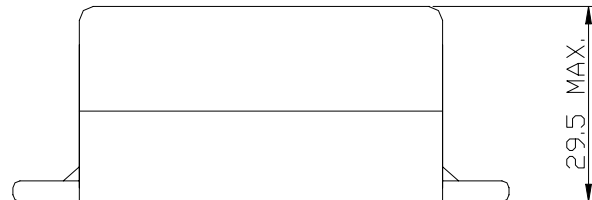
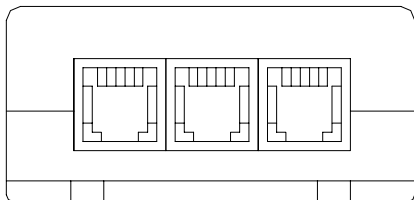
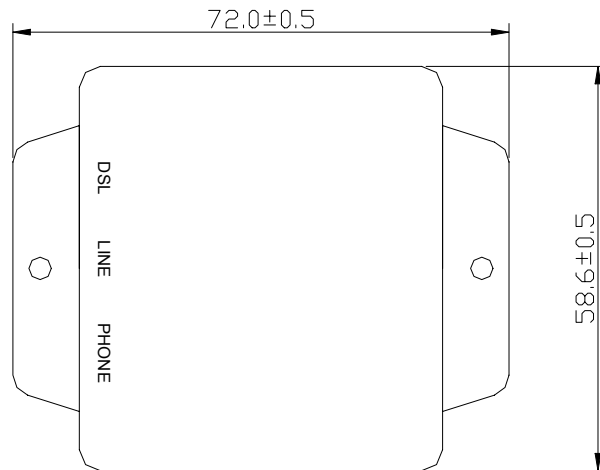
Electrical requirements

	Range / Values	MIN.	TYP.	MAX.	Unit
Ringng frequency	15.3Hz to 68Hz				
ADSL band	30KHz to 1104KHz				
DC Voltage	0V to 105V				
Nominal signal	21mVpp to 5.1Vpp				
Ringng signal	40Vrms to 150Vrms				
LINE Impedance	(115nF//820Ω)+220Ω				
PHONE Impedance	(115nF//820Ω)+220Ω				
MODEM Impedance	30K – 1.1MHz/100Ω				
Isolation:					
Tip or Ring to GND	term= $\infty \Omega$; 100VDC	10			MΩ
Tip to Ring	term= ∞ ; 100VDC	1			MΩ
DC Resistance	term= 0Ω EACH LINE			12	Ω
Insertion Loss	1004Hz	-1.0		+1.0	dB
Insertion Loss Distortion	200Hz – 4000Hz	-1.0		+1.0	dB
Return Loss					
	300Hz - 500Hz	≥ 14			dB
	500Hz – 2KHz	≥ 18			dB
	2KHz – 3.4KHz	≥ 14			dB
Attenuation in ADSL band	30KHz – 1.1MHz	≥ 45			dB
DC Current				100	mA

SPEC LIN ENTERPRISE CO.LTD.
AGENCY NO. ISO 9002 : 036809750

UNITS: mm
 SHEET: 1 OF 5

DRAWING NO.
ASL-2007



SPEC LIN ENTERPRISE CO. LTD.

BLOCK2, LIU WU FIRST INDUSTRIAL AREA, ERHEN RO. WE.,

SHIH-JE TOWN, DONG GUAN CITY, KUAN DONG PROVINCE, CHINA

TEL: 86-769-632-1088 FAX: 86-769-632-1061

AGENCY NO.

ISO 9002: 036809750

DRAWING NO.

ASL-2007

UNITS

mm

SHEET

2 OF 5

