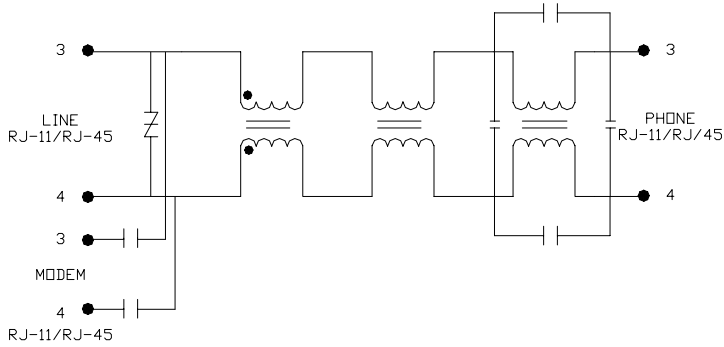


ADSL POTS SPLITTER

- Designs exceed standard for ITU-T G.992,1
- POTS loop DC currents from 0mA to 130mA
- Excellent longitudinal balance
- Operation temperature -10 to 75°C
- Low Cost



Specifications

		MIN.	TYP.	MAX.	Unit
Insertion loss					
	1004Hz	-1.0		1.0	dB
Attenuation distortion					
	200Hz to 3.4KHz	-1.0		1.0	dB
	3.4KHz to 4KHz	-1.5		1.5	dB
Attenuation in ADSL band					
	25KHz to 300KHz	65			dB
	300KHz to 1104KHz	55			dB
Delay distortion					
	600Hz to 3.2KHz			200	usec
	200Hz to 4KHz			250	usec
Return loss					
	200-2.0KHZ	11			dB
	20KHz-3.4KHz	7			dB
Longitudinal balance	200Hz to 3400Hz 50mA	58			dB
Tip to ring Capacitor	@30Hz	20		250	nF
DC resistance	Tip to ring			40	ohms
Isolation Resistance @ 120VDC		10			Mohms
DC current				130	mA

SPEC LIN ENTERPRISE CO.LTD.
AGENCY NO. ISO 9002 : 036809750

UNITS: mm
 SHEET: 1 OF

DRAWING NO.
ASL-2010