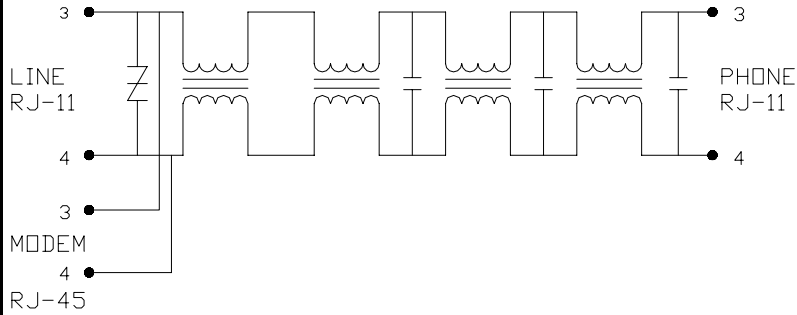


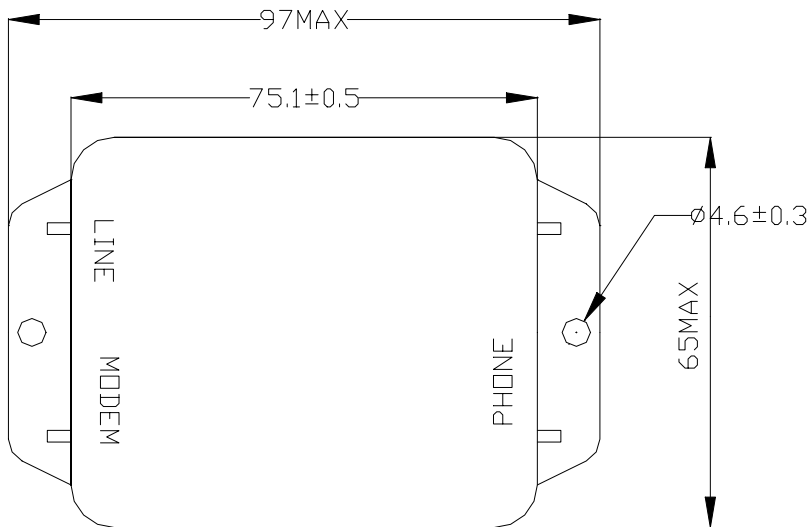
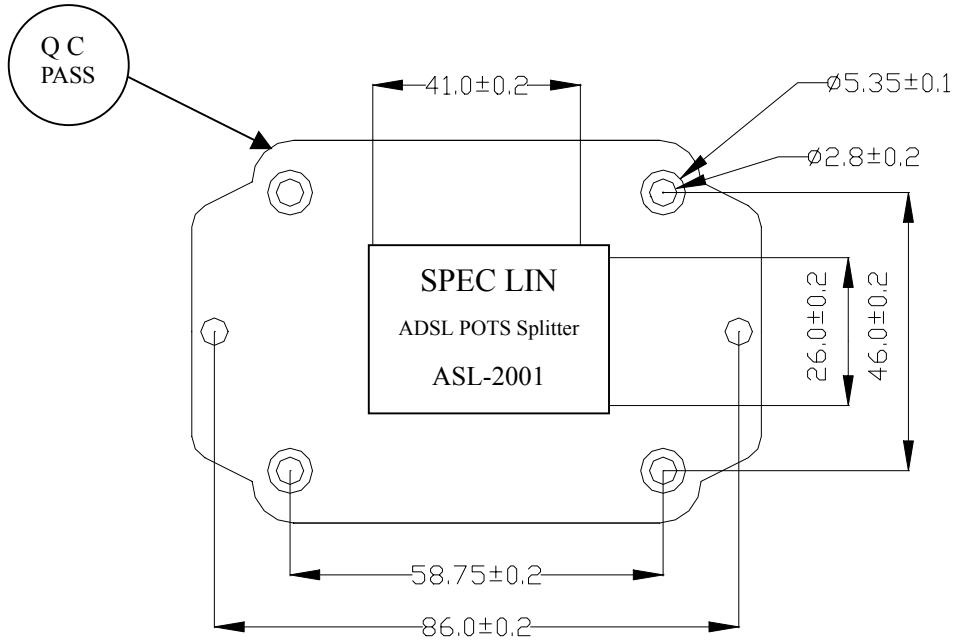
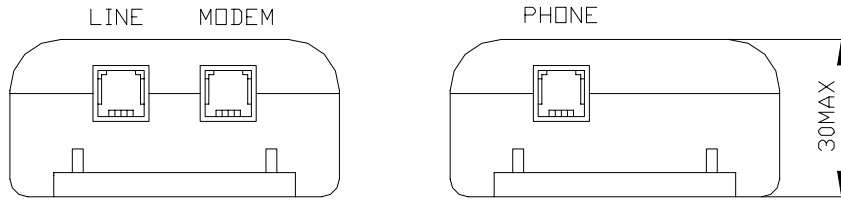
# ADSL POTS SPLITTER

- POTS loop DC currents from 0mA to 100mA
- Excellent longitudinal balance
- Operation temperature -10 to 75°C
- Low Cost



## Specifications

		MIN.	TYP.	MAX.	Unit
Insertion loss					dB
	1004Hz			1.0	dB
Attenuation distortion					dB
	3.4KHz to 4KHz	-1.0		1.0	dB
Attenuation in ADSL band	30KHz to 300KHz	65			dB
	300KHz to 1104KHz	55			dB
Delay distortion	600Hz to 3.2KHz short loop			200	usec
	200Hz to 4KHz short loop			250	usec
	600Hz to 3.2KHz long loop			200	usec
	200Hz to 4KHz long loop			250	usec
Return loss	ERL	18			dB
	SRL – LO	14			dB
	SRL – HI	14			dB
Longitudinal balance	200Hz to 1000Hz	58			dB
	1000Hz to 3000Hz	53			dB
DC resistance	Tip to ring			25	ohms
	Tip or ring to ground	5			Mohm
DC current			100		mA



**SPEC LIN** ENTERPRISE CO. LTD.

BLOCK2,LIU WU FIRST INDUSTRIALAREA,ERHEN RO. WE,  
SHIH-JE TOWN,DONG GUAN CITY,KUAN DONG PROVINCE CHINA

AGENCY NO:

ISO 9002 : 036809750

DRAWING NO.

**ASL-2001**

UNITS

SHEET

