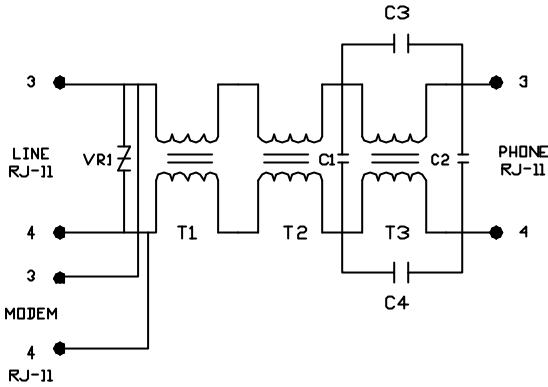


ADSL POTS SPLITTER

- Designs exceed standard for ITU-T G.992,1
- POTS loop DC currents from 0mA to 100mA
- Excellent longitudinal balance
- Operation temperature -10 to 75
- Low Cost



Specifications

		MIN.	TYP.	MAX.	Unit
Insertion loss	1004Hz short loop			1.0	dB
	1004Hz long loop			0.75	dB
Attenuation distortion	200Hz to 3.4KHz short loop	-1.5		1.5	dB
	3.4KHz to 4KHz short loop	-2.0		2.0	dB
	200Hz to 3.4kHz long loop	-1.5		0.5	dB
	3.4KHz to 4KHz long loop	-1.5		1.0	dB
Attenuation in ADSL band	30KHz to 300KHz	65			dB
	300KHz to 1104KHz	55			dB
Delay distortion	600Hz to 3.2KHz short loop			200	usec
	200Hz to 4KHz short loop			250	usec
	600Hz to 3.2KHz long loop			200	usec
	200Hz to 4KHz long loop			250	usec
Return loss	ERL	6			dB
	SRL – LO	5			dB
	SRL – HI	3			dB
Longitudinal balance	200Hz to 3000Hz	52			dB
Tip to ring Capacitor	@30Hz	20		115	nF
DC resistance	Tip to ring			25	ohms
	Tip or ring to ground	5			Mohms
DC current			100		mA

SPEC LIN ENTERPRISE CO.LTD.
AGENCY NO. ISO 9002 : 036809750

UNITS: mm
 SHEET: 1 OF

DRAWING NO.
ASL-2002